



SHORTSTOPP® II

Plugging System, Sizes: 1-1/4" through 12"



T.D. Williamson, Inc.

Bulletin No: 2080.001.04

Date: July 2006

Cross Indexing No: n/a

Supersedes: 2080.001.03 1/05



■ **SHORTSTOPP® II Plugging System**
Size 3 x 4



■ **SHORTSTOPP® II Plugging System**
Size 6 x 8

Description

The SHORTSTOPP® II Plugging System is more dependable, easier to use, and more cost efficient than any other system on the market for plugging 1-1/4" through 12" lines in pressures up to 200 psi and a maximum operating temperature of 180°F. It meets industry standards for temporarily plugging

distribution mains. It is a system capable of meeting the growing demands for working under higher pressures and is capable of plugging 4" and 6" polyethylene pipe as well.*

The SHORTSTOPP II Plugging System is the state-of-the-art distribution plugging system.

*With appropriate adaptation kit.

Features

- Pressures to 200 psi. See specific data sheet for maximum pressure.
- Maximum operating temperature of 180°F
- Lightweight, durable, dependable and easy to use
- Plugs 4-, 6-, 8-, 10- and 12-inch mains through reduced branch fittings, using folding plugging head
- Plugs 1-1/4 through 12-inch mains size on size
- Plugs 4- and 6-inch polyethylene pipe*
- Pivot ball gland reduces wear on housing and control bar
- Control bar jack provides mechanical advantage when lowering plugging head in 4-inch and larger sizes
- Control bar latch and clamp secure plugging head in seated position
- Setting completion plug in fitting permits removal of tapping valve

Options

- Sealing elements for 60, 150, and 200 psi
- Chip sweep and magnetic chip removal tool available
- Visual inspection tool available
- 3 x 4, 4 x 6, 6 x 8, 8 x 10/12-inch reduced branch fittings permit plugging through smaller access
- Refer to the following data sheets for equipment make up for each size

Patented in the United States and in foreign countries.
ISO 9001 Certified

Toll Free

1-888-TDWmSon (839-6766)



SHORTSTOPP® II Plugging System

SHORTSTOPP® II Plugging Machines

Size		Weight		Part Number
Inches	DN	Lbs.	Kg.	
1-1/4	32	16	7	08-3303-0000-00
1-1/2	40	18	8	08-3305-0000-00
2	50	18	8	08-3309-0000-00
3	80	45	20	08-3500-0300-00
4	100	71	32	08-3500-0400-00
6	150	110	46	¹ 08-3500-0600-00
6	150	95	43	² 08-3500-5600-00
8	200	170	77	08-3500-0800-00
10	250	370	168	08-3500-1000-00
12	300	400	181	08-3500-1200-00
3 x 4	80 x 100	55	25	08-3501-0304-00
4 x 6	100 x 150	100	45	08-3501-0406-00
6 x 8	150 x 200	150	68	08-3501-0608-00
8 x 10	200 x 250	320	145	08-3501-0810-00
8 x 12	200 x 300	350	159	08-3501-0812-00

This includes plugging machine, plugging head assembly and chip sweep (sealing element sold separately).

¹ Standard - 1" diameter control bar.

² Alternate - 1-1/4" diameter control bar.

Plugging Machines For Polyethylene Gas Pipe

Size		Weight		Part Number
Inches	DN	Lbs.	Kg.	
4" & 6"	100 & 150	55	25	^{1 & 2} 08-3508-0646
6" only	150	105	48	² 08-3508-0606

¹ 6" Plugging requires special nose adapter to attach larger sealing elements

² Requires 6" SHORTSTOPP® Valve Part Number 09-0697-0000

Cases for Plugging Machines

Size	Part Number
1-1/4	08-2481-0006
1-1/2	08-2481-0006
2	08-2481-0006
3	08-2565-0001-00
3x4	08-2565-0001-00
4	08-2565-0002-00
4x6	08-2565-0003-00
6	08-2565-0004-00 ¹
6	08-2565-0007-00 ²
6x8	08-2565-0006-00
8	08-2565-0004-00
8x10	08-2565-0005-00
8x12	08-2565-0005-00
10	08-2565-0009-00
12	08-2565-0009-00

¹ Note: 08-2565-0004-00 6-inch is for 08-3500-0600-00

² Note: 08-2565-0007-00 6-inch is for 08-3500-5600-00

SHORTSTOPP® II Sealing Elements

Size					
Inches	DN	Standard 60 psi [†]	Thinwall 60 psi	Standard 150 psi [†]	Thinwall 150 psi* [†]
1-1/4	32	08-0114-0125 [†]	--	--	--
1-1/2	40	08-0114-0015 [†]	--	--	--
2	50	08-0114-0002	08-0501-0200	08-3427-0002 [†]	--
3	80	08-0114-0003	08-0502-0003	08-3427-0003 [†]	08-3428-0003 [†]
4	100	08-0114-0004	08-0502-0004	08-3427-0004 [†]	08-3428-0004 [†]
6	150	08-0114-0006	08-0502-0006	08-3427-0006-SUFF [†]	08-3428-0006-SUFF [†]
8	200	08-0114-0008	08-1719-0008	08-3427-0008-SUFF	08-3428-0008-SUFF
10	250	08-0114-0010	08-1719-0010	08-3427-0010-SUFF	08-3428-0010-SUFF
12	300	08-0114-0012	08-1719-0012	08-3427-0012-SUFF	08-3428-0012-SUFF
3 X 4	80 x 100	--	--	08-2332-0004-SUFF	08-2332-0004-SUFF
4 X 6	100 x 150	--	--	08-2332-0006-SUFF	08-2332-0006-SUFF
6 X 8	150 x 200	--	--	08-2332-0008-SUFF	08-2332-0008-SUFF
8 X 10	200 x 250	--	--	08-2332-0010-SUFF	08-2332-0010-SUFF
8 X 12	200 x 300	--	--	08-2332-0012-SUFF	08-2332-0012-SUFF

*Specify pipe I.D. when ordering.

[†] Up to 200 psi



SHORTSTOPP® II Plugging System

Sealing Elements For Polyethylene Pipe

Size		
Inches	DN	Part Number
4	100	08-2294-0004
6*	150	08-2294-0002
6**	150	08-2332-0006-06

¹ For SDR 11 and 11.5 Pipe

* When using 3x4 Machine

** When using 4x6 Machine

SHORTSTOPP® II Completion Plug Holders

Size		Weight		Part Number
Inches	DN	Lbs.	Kg.	
1-1/4	32	.4	.2	08-0367-0001
1-1/2	40	.8	.4	08-2301-0000
2	50	.8	.4	08-2301-0000
3	80	3	1.4	08-3394-0000
3 Sq. Dr.	80	3	1.4	08-3393-0000
4	100	4	2	08-3395-0000
6 & 8	150 & 200	8	4	08-3396-0000
10 & 12	250 & 300	15	7	08-3398-0000
3 x 4	80 x 100	3	1.42	08-3394-0000
4 x 6	100 x 150	6	3	08-3392-0000
6 x 8	150 x 200	8	4	08-3396-0000
8 x 10, 12	200 x 250 & 300	12	5	08-3397-0000

Polyethylene Conversion Kits For Steel Equipment

Refer to TDW Data Sheets: SS-4PE, SS-6PE, SS-8PE

SHORTSTOPP® II Plugging Head Kits

Size			Weight		Part Number
Inches	DN	Used With (.in)	Lbs.	Kg.	
3	80	3 x 4	4	2	08-3421-0000
4	100	4 x 6	6	3	08-3419-0000
6	150	6 x 8	12	6	08-3318-0000
8	200	8 x 10, 8 x 12	32	16	08-3420-0000

Used with Folding Plugging Machine for Size-on-Size Plugging and Sweeping Chips.

SHORTSTOPP® II Plugging System



T.D. Williamson, Inc.

2080.001.03 - p4

SHORTSTOPP® II SIGHT GLASS Kits

Inches	Size		Weight		Part Number
	DN	Lbs.	Kg.		
¹ 1-1/4 - 3	32 - 80	29	13	² 08-3423-0000-00	
¹ 1-1/4 - 1-1/2	32 - 40	23	11	² 08-3423-0000-01	
¹ 2	50	23	11	² 08-3423-0000-02	
¹ 3 - 3 x 4	80 - 80 x 100	24	11	08-3423-0000-03	
¹ 4 - 12	100 - 300	16	7	³ 08-3424-0000-00	
¹ 4 - 6	100 - 150	14	7	³ 08-3424-0000-01	
¹ 8 - 12	200 - 300	15	7	³ 08-3424-0000-02	

- ¹ With Chip Sweep and Magnet
- ² Includes 3" x 2" Adapter
- ³ Requires T-203 Tapping Adapter

SHORTSTOPP® II Adapters for Use with Sight Glass

Inches	Size		Weight		Part Number
	DN	Lbs.	Kg.		
1-1/4 - 3 x 4	32 - 80 x 100	16	7	08-2340-0000-00	
4 - 6	100 - 150	11	5	³ 08-2339-0000-01	
8 - 12	200 - 300	11	5	³ 08-2339-0000-02	

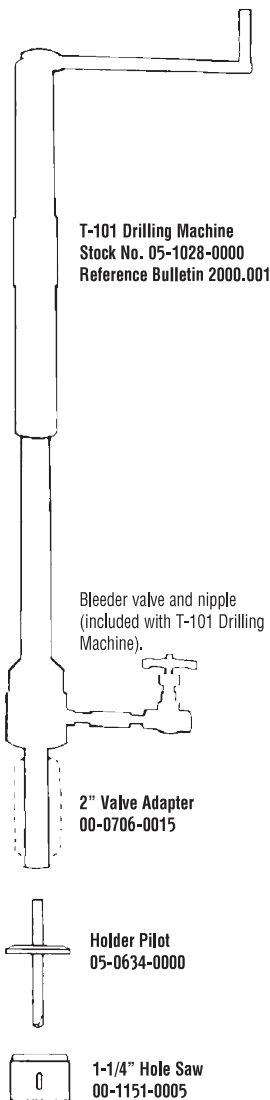
- ¹ With Chip Sweep and Magnet
- ³ Requires T-203 Tapping Adapter

SHORTSTOPP® II 1-1/4-inch Plugging Machine



Data Sheet No. **SSII-1-1/4**
 Date: 12.2018
 Supersedes: 12.2010

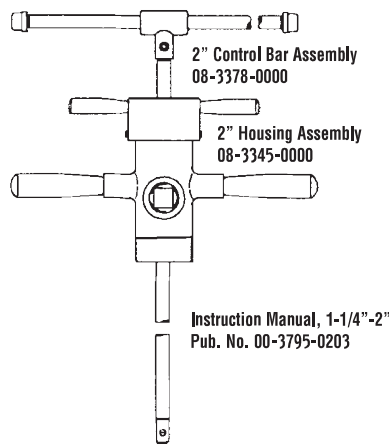
Tapping



Plugging

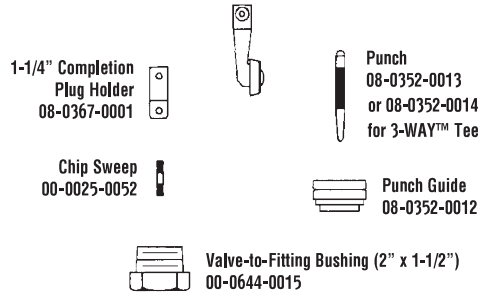
1-1/4" Plugging Machine Assembly 08-3303-0000

Includes items below



1-1/4" Plugging Head Assembly 08-3302-0000

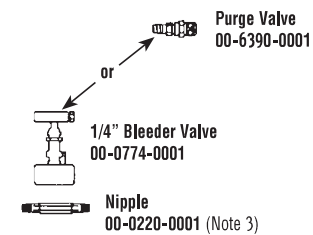
Includes items below



Sealing Element Not Included (Note 5)

Bleeder Valve Accessory

Purchased separately



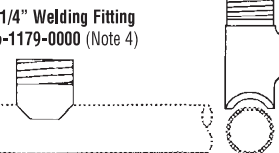
Carrying case for plugging machine
 sold separately 08-2481-0006

2" SHORTCUTT® 500 Valve
 09-0758-0000
 500 psi MWP



1-1/4" 3-WAY™ Tee
 06-6741-0000 (Note 4)

1-1/4" Welding Fitting
 06-1179-0000 (Note 4)



1-1/4" Steel Pipe

Refer to back for fitting options.

Notes

- Maximum Working Pressure:** 200 psi at 100°F (May be limited by valve selection.)
- Maximum Working Temperature:** 180°F at 120 psi.
- Bleeder valve and nipple** are provided with TDW Drilling Machines.
- Fitting** - Includes threaded completion plug and cap.
- Sealing Elements** - Refer to chart at right.

Pipe ID	Part No.
1.312-1.380	08-0114-0125-00
1.250-1.311	08-0114-0125-01

Consult factory for unlisted pipe ID.



Data Sheet No. **SSII-1-1/4**

Tapping and SHORTSTOPP® II Plugging Machine **1-1/4-inch Gas Main**



■ **Welding Fitting**
See Bulletin 2100.003



■ **3-WAY™ Tee**
See Bulletin 2100.002

■ **Note:** Consult your TDW representative for additional fitting options.

SHORTSTOPP® II 1-1/2-inch Plugging Machine

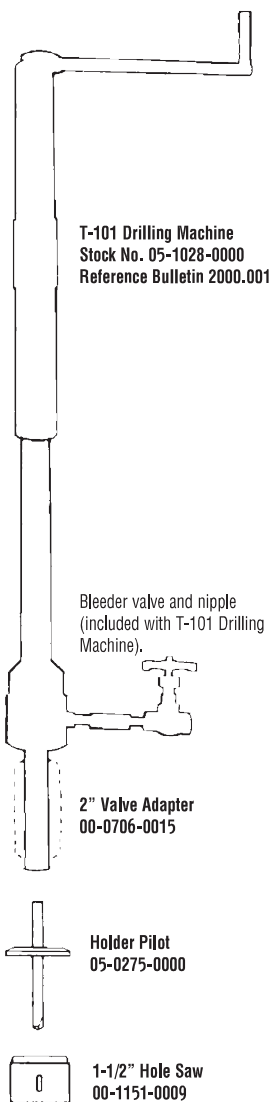


Data Sheet No. **SSII-1-1/2**

Date: 12.2018

Supersedes: 12.2010

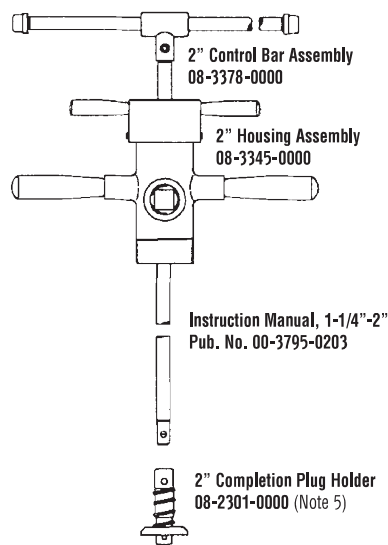
Tapping



Plugging

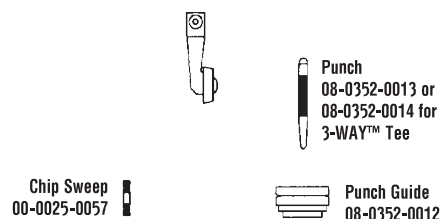
1-1/2" Plugging Machine Assembly 08-3305-0000

Includes items below



1-1/2" Plugging Head Assembly 08-3304-0000

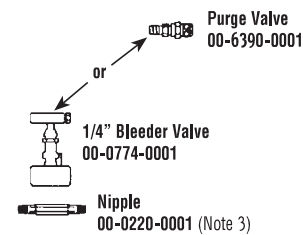
Includes items below



Sealing Element Not Included (Note 6)

Bleeder Valve Accessory

Purchased separately



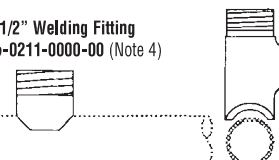
Carrying case for plugging machine
sold separately 08-2481-0006

2" SHORTCUTT® 500 Valve
09-0758-0000
500 psi MWP



1-1/2" 3-WAY™ Tee
26-0216-0000-00 (Note 4)

1-1/2" Welding Fitting
26-0211-0000-00 (Note 4)



1-1/2" Steel Pipe

Refer to back for fitting options.

Notes

- Maximum Working Pressure:** 200 psi at 100°F (May be limited by valve selection.)
- Maximum Working Temperature:** 180°F at 120 psi.
- Bleeder valve and nipple** are provided with TDW Drilling Machines.
- Fitting** - Includes threaded completion plug and cap.
- Solid Completion Plug Holder** - 08-0367-0001
- Sealing Elements** - Refer to chart at right.

Pipe ID	Part No.
1.562-1.630	08-0114-0015-00
1.500-1.561	08-0114-0015-01

Consult factory for unlisted pipe ID.



Data Sheet No. SSII-1-1/2

Tapping and SHORTSTOPP® II Plugging Machine **1-1/2-inch Gas Main**



■ **Welding Fitting**
See Bulletin 2100.003



■ **Spherical 3-WAY™ Tee**
See Bulletin 2100.007



■ **3-WAY™ Tee**
See Bulletin 2100.002

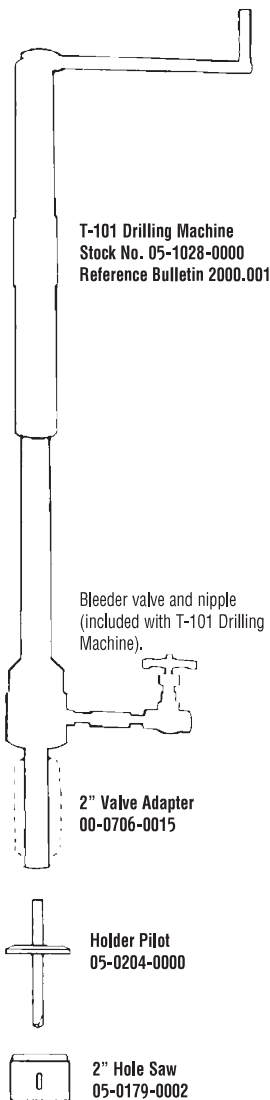
■ **Note:** Consult your TDW representative for additional fitting options.

SHORTSTOPP® II 2-inch Plugging Machine



Data Sheet No. **SSII-2**
 Date: 12.2018
 Supersedes: 08.2004

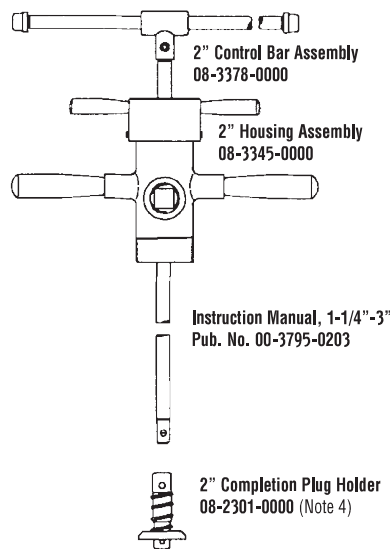
Tapping



Plugging

2" Plugging Machine Assembly 08-3309-0000

Includes items below



2" Standard Plugging Head Assembly 08-3306-0000

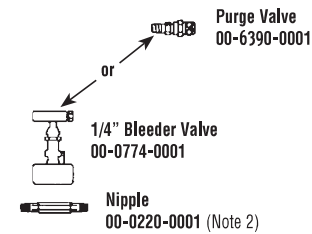
Includes items below



Sealing Element Not Included (Note 5)

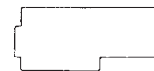
Bleeder Valve Accessory

Purchased separately



Carrying case for plugging machine
 sold separately 08-2481-0006

2" SHORTCUTT® Valve
 09-0758-0000
 500 psi MWP



2" 3-WAY™ Tee
 26-0217-0000-00 (Note 3)

2" Welding Fitting
 26-0212-0000-00 (Note 3)



2" Steel Pipe

Refer to back for fitting options.

Notes

- Maximum Working Pressure and Temperature:** 60 psi at 180°F with standard plugging head components; with special cups, 200 psi at 100°F or 120 psi at 180°F (see chart at right). Pressure rating may be limited by valve selection.
- Bleeder valve and nipple** are provided with TDW Drilling Machines.
- Fitting** - Includes threaded completion plug and cap.
- Solid Completion Plug Holder** - 08-0367-0001.
- Sealing Elements** - Refer to chart at right.

60 psi MWP Pipe ID	60 psi MWP Part No.	200 psi MWP Pipe ID	200 psi MWP Part No.
2.126-2.157	08-0501-0200-00	2.062-2.157	08-3427-0002-00
2.062-2.125	08-0114-0002-00	2.000-2.061	08-3427-0002-01
2.000-2.061	08-0114-0002-01	1.938-1.999	08-3427-0002-02
1.939-1.999	08-0114-0002-02		

Consult factory for unlisted pipe ID.



Data Sheet No. SSII-2

Tapping and **SHORTSTOPP® II** Plugging Machine 2-inch Gas Main



■ **Welding Fitting**
See Bulletin 2100.003



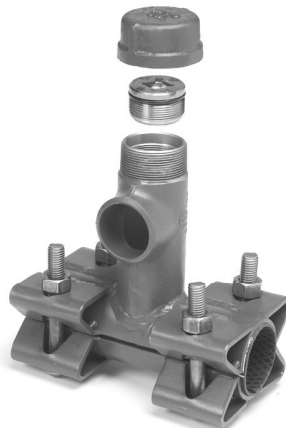
■ **Spherical 3-WAY™ Tee**
See Bulletin 2100.007



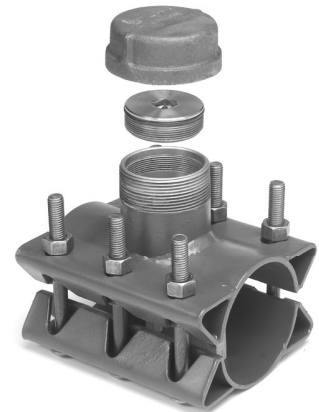
■ **3-WAY™ Tee**
See Bulletin 2100.002



■ **Mechanical SHORTSLEEVE™ Fitting**
See Bulletin 2100.002



■ **Branch Type II 3-WAY™ Tee**
See Bulletin 2100.011



■ **Branch Type II Plugging Fitting**
See Bulletin 2100.010

■ **Note:** Consult your TDW representative for additional fitting options.

SHORTSTOPP® II 3-inch Size-on-Size Plugging Machine (1-inch Dia. Control Bar)

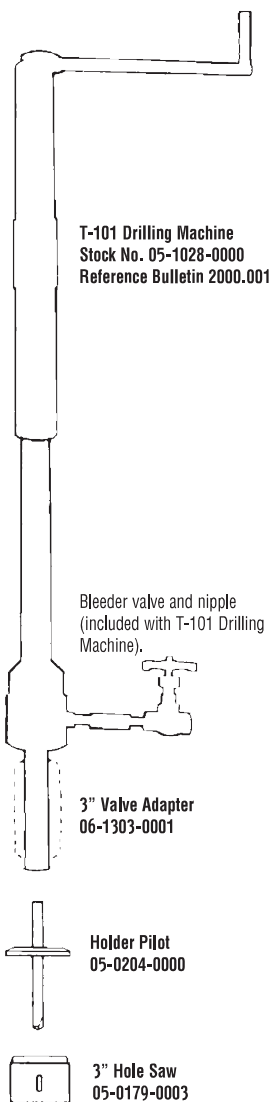


Data Sheet No. SSII-3

Date: 12.2018

Supersedes: 09.2004

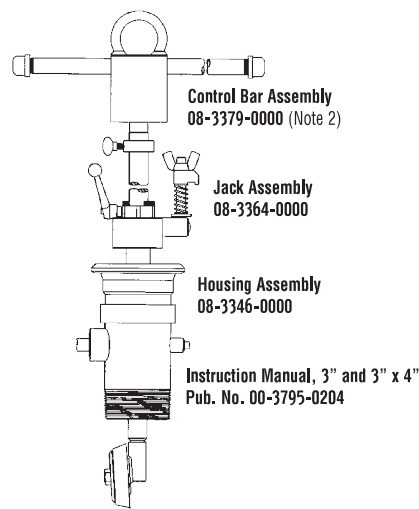
Tapping



Plugging

3" Plugging Machine Assembly 08-3500-0300

Includes items below



Standard Plugging Head Assembly 08-3314-0000

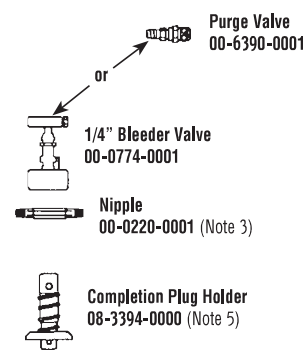
Includes items below



Sealing Element Not Included (Note 6)

Bleeder Valve Accessory

Purchased separately



3" Sight Glass Kit 08-3423-0000-03

See Sight Glass Data Sheet for details

Carrying case for plugging machine
sold separately 08-2481-0005

SHORTCUTT® Valve
09-0759-0000
500 psi MWP



3-WAY™ Tee
26-0218-0000-00 (Note 4)

SHORTSTOPP® Welding Fitting
26-0213-0000-00 (Note 4)



3" Steel Pipe

Refer to back for
fitting options.

Notes

- Maximum Working Pressure and Temperature:** 60 psi at 180°F with standard plugging head components; with special cups, 200 psi at 100°F or 120 psi at 180°F (see chart at right). Pressure rating may be limited by valve selection.
- 3" x 4" Control Bar Assembly may be used with 3" Plugging Head Control Bar Adapter 08-3421-0002 for plugging 3" pipe.
- Bleeder valve and nipple are provided with

- TDW Drilling Machines.
- Fitting - Includes threaded completion plug and cap.
- Solid Completion Plug Holder - 08-3393-0000.
- Sealing Elements - Refer to chart at right.

60 psi MWP Pipe ID	60 psi MWP Part No.	200 psi MWP Pipe ID	200 psi MWP Part No.
3.188-3.260	08-0502-0003-00	3.250-3.312	08-3428-0003-00
3.062-3.188	08-0114-0003-00	3.062-3.125	08-3427-0003-00
2.875-2.937	08-0114-0003-03	2.875-2.937	08-3427-0003-03

Consult factory for unlisted pipe ID.

North & South America: +1 918 447 5000 ■ Europe / Africa / Middle East: +32 67 28 3611 ■ Asia Pacific: +65 6364 8520 ■ www.tdwilliamson.com

Data subject to change without notice. / Dimensions not for construction unless certified. / ® Registered trademark of T.D. Williamson in the United States and in other countries. / TM Trademark of T.D. Williamson in the United States and in other countries. / © Copyright 2018. All rights reserved T.D. Williamson / Printed in USA



Data Sheet No. SSII-3

Tapping and **SHORTSTOPP® II** Plugging Machine 3-inch Gas Main



■ **Welding Fitting**
See Bulletin 2100.003



■ **Spherical 3-WAY™ Tee**
See Bulletin 2100.007



■ **3-WAY™ Tee**
See Bulletin 2100.002



■ **Branch Type II 3-WAY™ Tee**
See Bulletin 2100.011



■ **Branch Type II Plugging Fitting**
See Bulletin 2100.010

■ Note: Consult your TDW representative for additional fitting options.

SHORTSTOPP® II 4-inch Size-on-Size Plugging Machine

(1-inch Dia. Control Bar)



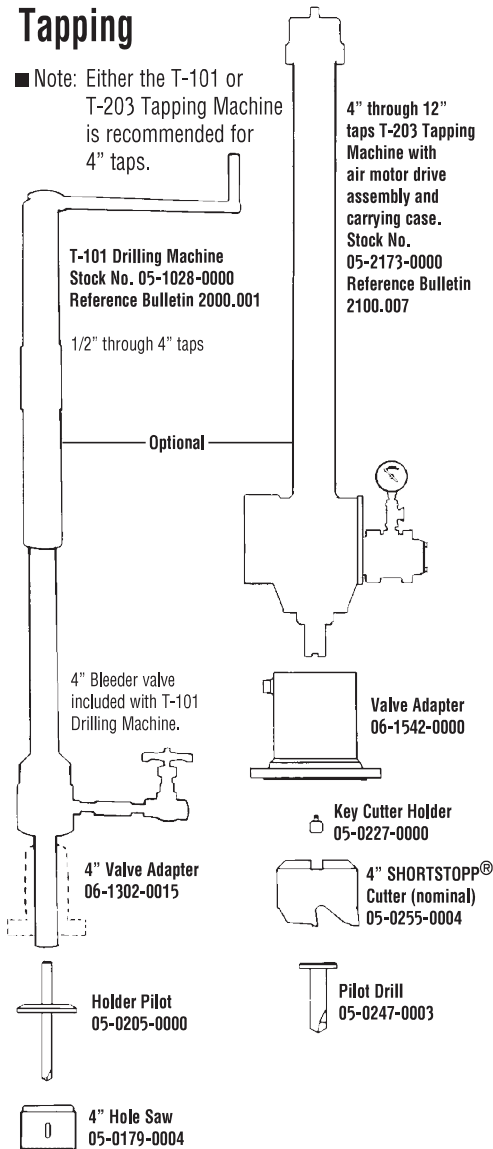
Data Sheet No. SSII-4

Date: 12.2018

Supersedes: 09.2004

Tapping

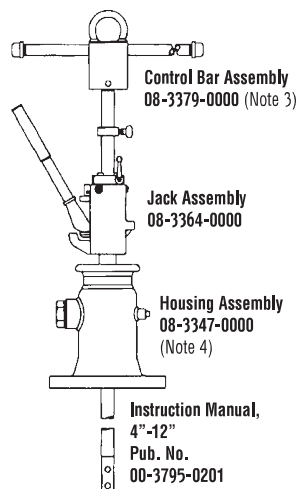
■ Note: Either the T-101 or T-203 Tapping Machine is recommended for 4" taps.



Plugging

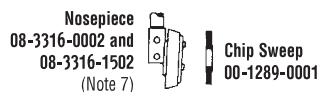
4" Plugging Machine Assembly 08-3500-0400

Includes items below



Standard Plugging Head Assembly 08-3316-0000

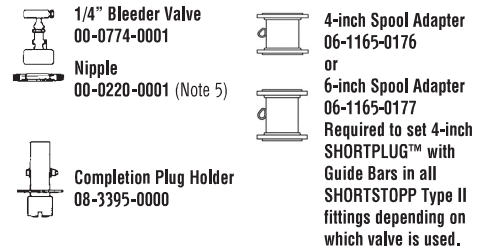
Includes items below



Sealing Element Not Included (Note 7)

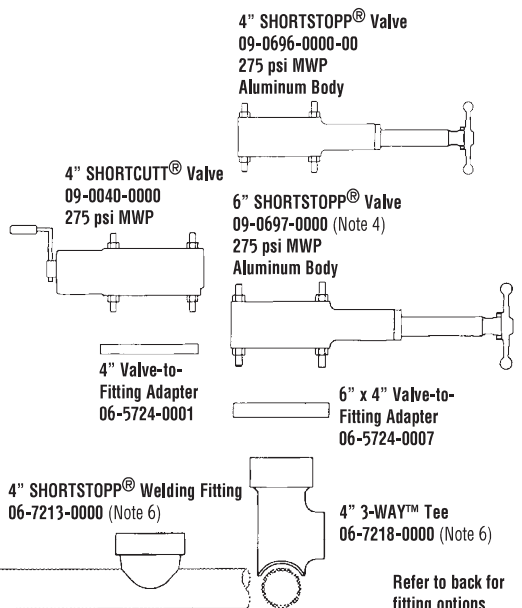
Bleeder Valve Accessory

Purchased separately



Sight Glass Kit 08-3424-0000-01 (Note 2)

See Sight Glass Data Sheet for details



Notes

- Maximum Working Pressure and Temperature:** 60 psi at 180°F with standard plugging head components; 200 psi at 100°F or 120 psi at 180°F, with special cups/nosepieces (see chart at right).
- Sight Glass Kit** - Requires the use of a T-203 Tapping Adapter. 4" Part No. 06-1542-0000 6" Part No. 06-1543-0000.
- 3" x 4" Control Bar Assembly** may also be used 08-3386-0000.
- If using a 6" SHORTCUTT® or SHORTSTOPP® Valve, use 4-6 PE Housing Assembly 08-3357-0000 and use 6" x 4" Tapping Adapter (f/T-101) 06-8872-0005.
- Bleeder valve and nipple** are provided with TDW Drilling Machines.
- Fitting** - Leaf-type completion plug and blind flange included.
- Sealing Elements** - Refer to chart at right. Use 08-3428-0004-03 to plug 4" 3-way tee outlet.

Pipe ID	60 psi MWP Sealing Element	60 psi MWP Nosepiece	200 psi MWP Sealing Element	200 psi MWP Nosepiece
4.250-4.260	08-0502-0004-00	08-3316-1502	4.156-4.260	08-3428-0004-01 08-3316-1502
4.124-4.187	08-0502-0004-02	08-3316-1502	4.062-4.156	08-3428-0004-02 08-3316-1502
4.026-4.188	08-0114-0004-00	08-3316-0002	3.962-4.125	08-3428-0004-03 08-3316-1502
3.812-3.874	08-0114-0004-03	08-3316-0002	3.875-3.937	08-3427-0004-02 08-3316-0002
Consult factory for unlisted pipe ID.				
			3.812-3.874	08-3427-0004-03 08-3316-0002
			3.750 - 3.811	08-3427-0004-04 08-3316-0002

North & South America: +1 918 447 5000 ■ Europe / Africa / Middle East: +32 67 28 3611 ■ Asia Pacific: +65 6364 8520 ■ www.tdwilliamson.com

Data subject to change without notice. / Dimensions not for construction unless certified. / ® Registered trademark of T.D. Williamson in the United States and in other countries. / TM Trademark of T.D. Williamson in the United States and in other countries. / © Copyright 2018. All rights reserved T.D. Williamson / Printed in USA

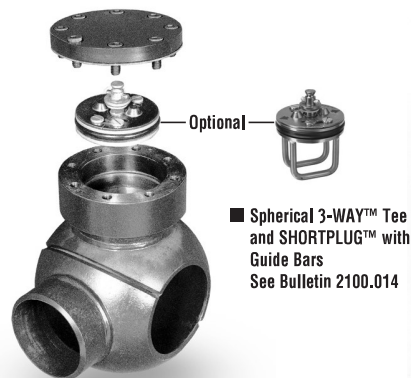


Data Sheet No. **SSII-4**

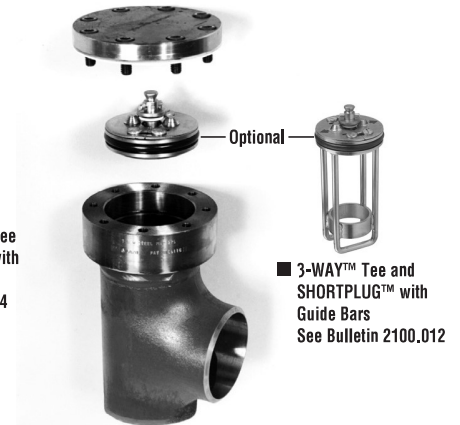
Tapping and *SHORTSTOPP*[®] II Plugging Machine 4-inch Gas Main



■ **Welding Fitting**
See Bulletin 2100.003



■ **Spherical 3-WAY™ Tee**
See Bulletin 2100.007



■ **3-WAY™ Tee**
See Bulletin 2100.002



■ **Mechanical SHORTSLEEVE™ Fitting**
See Bulletin 2110.001



■ **Branch Type II 3-WAY™ Tee**
See Bulletin 2100.011



■ **Branch Type II Plugging Fitting**
See Bulletin 2100.010

■ **Note:** Consult your TDW representative for additional fitting options.

SHORTSTOPP® II 6" Size-on-Size Plugging Machine

(1-5/8" Dia. Control Bar)



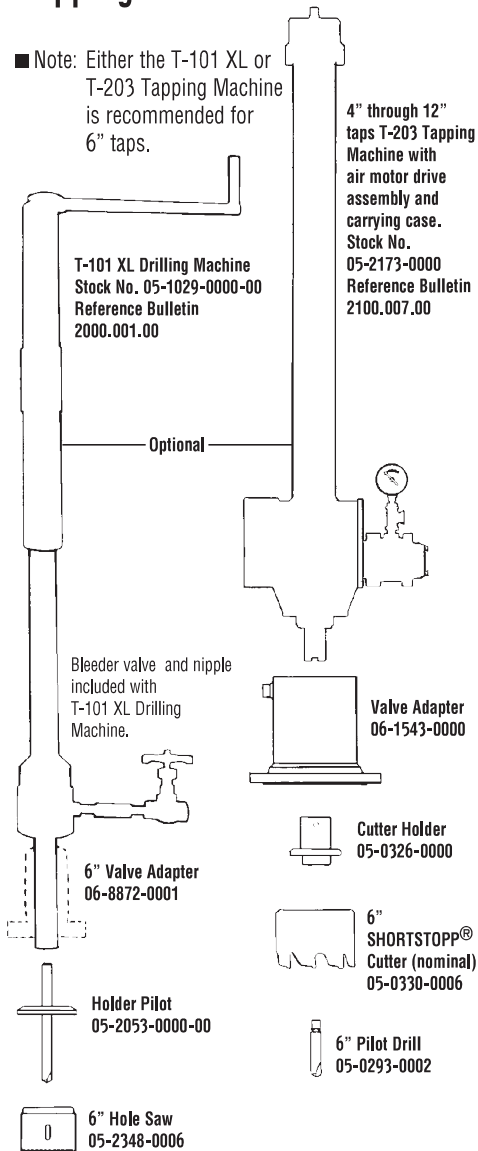
Data Sheet No. SSII-6

Date: 12.2018

Supersedes: 09.2004

Tapping

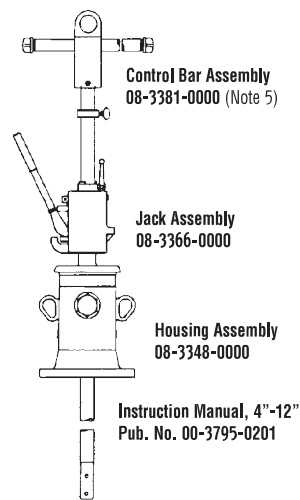
■ Note: Either the T-101 XL or T-203 Tapping Machine is recommended for 6" taps.



Plugging

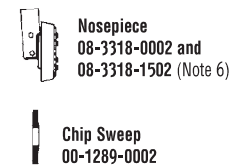
6" Plugging Machine Assembly 08-3500-0600

Includes items below



Standard Plugging Head Assembly 08-3318-0000

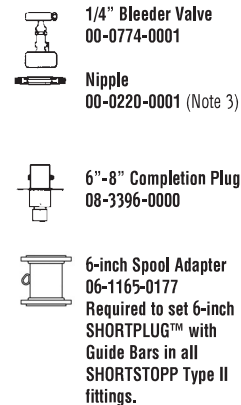
Includes items below



Sealing Element Not Included (Note 6)

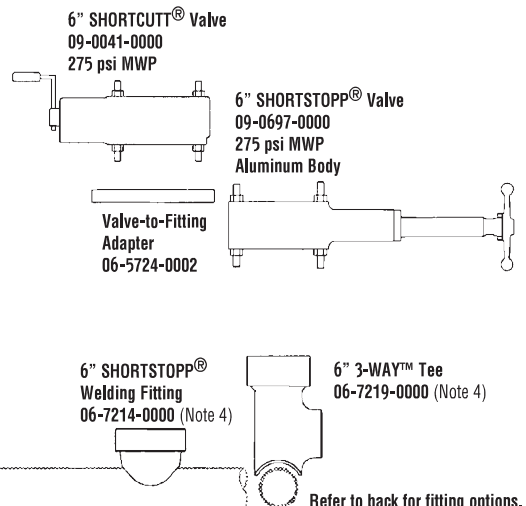
Bleeder Valve Accessory

Purchased separately



Sight Glass Kit 08-3424-0000-02 (Note 2)

See Sight Glass Data Sheet for details



Notes

- Maximum Working Pressure and Temperature:** 60 psi at 180°F with standard plugging head components; 200 psi at 100°F or 120 psi at 180°F, with special cups/nosepieces (see chart at right).
- Sight Glass Kit** - Requires the use of the 6" T-203 Tapping Adapter, Part No. 06-1543-0000.
- Bleeder valve and nipple** are provided with TDW Drilling Machines.
- Fitting** - Leaf-type completion plug and blind flange included.
- 6" x 8" **Control Bar Assembly** 08-3388-0000 may also be used.
- Sealing Elements** - Refer to chart at right.

Pipe ID	60 psi MWP Sealing Element	60 psi MWP Nosepiece	Pipe ID	200 psi MWP Sealing Element	200 psi MWP Nosepiece
6.250-6.311	08-0502-0006-01	08-3318-1502	6.250-6.311	08-3428-0006-01	08-3318-1502
6.188-6.249	08-0502-0006-02	08-3318-1502	6.187-6.249	08-3428-0006-02	08-3318-1502
6.062-6.310	08-0114-0006-00	08-3318-0002	6.062-6.124	08-3428-0006-04	08-3318-1502
5.750-5.811	08-0114-0006-04	08-3318-0002	5.750-5.811	08-3427-0006-04	08-3318-0002

Consult factory for unlisted pipe ID.

North & South America: +1 918 447 5000 ■ Europe / Africa / Middle East: +32 67 28 3611 ■ Asia Pacific: +65 6364 8520 ■ www.tdwilliamson.com

Data subject to change without notice. / Dimensions not for construction unless certified. / ® Registered trademark of T.D. Williamson in the United States and in other countries. / TM Trademark of T.D. Williamson in the United States and in other countries. / © Copyright 2018. All rights reserved T.D. Williamson / Printed in USA



Data Sheet No. **SSII-6**

Tapping and **SHORTSTOPP® II** Plugging Machine 6" Gas Main



■ **Welding Fitting**
See Bulletin 2100.003

■ **Welding Fitting and SHORTPLUG™ with Guide Bars**
See Bulletin 2100.013



■ **Spherical 3-WAY™ Tee**
See Bulletin 2100.007

■ **Spherical 3-WAY™ Tee and SHORTPLUG™ with Guide Bars**
See Bulletin 2100.014



■ **3-WAY™ Tee**
See Bulletin 2100.002

■ **3-WAY™ Tee and SHORTPLUG™ with Guide Bars**
See Bulletin 2100.012



■ **Mechanical SHORTSLEEVE™ Fitting**
See Bulletin 2110.001

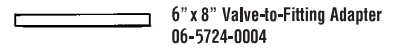


■ **Branch Type II 3-WAY™ Tee**
See Bulletin 2100.011

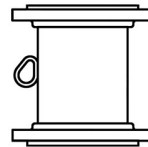


■ **Branch Type II Plugging Fitting**
See Bulletin 2100.010

■ **Note:** If you already have 8" **SHORTSTOPP®** plugging equipment, the additional accessories shown below are all you need to plug 6" mains (plus Welding Fittings).



6" x 8" **Valve-to-Fitting Adapter**
06-5724-0004



6-inch **Spool Adapter**
06-1165-0177
Required to set 6-inch **SHORTPLUG™** with Guide Bars in all **SHORTSTOPP** Type II fittings.



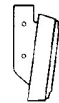
6" **SHORTSTOPP®** **Cutter** (nominal)
05-0446-0006



Pilot Drill
05-0293-0002



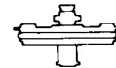
Completion Plug Holder
08-3396-0000



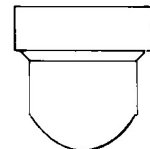
6" **Plugging Head with Sealing Cup and Chip Sweep**
08-3318-0000



Cover Flange



Completion Plug



Fitting

6" **Welding Fitting** includes: cover flange with bolts, gasket and plastic caplugs, completion plug and O-ring.
Stock No. 06-5713-0000

■ **Note:** Consult your TDW representative for additional fitting options.

SHORTSTOPP® II 8" Size-on-Size Plugging Machine

(1-5/8" Dia. Control Bar)

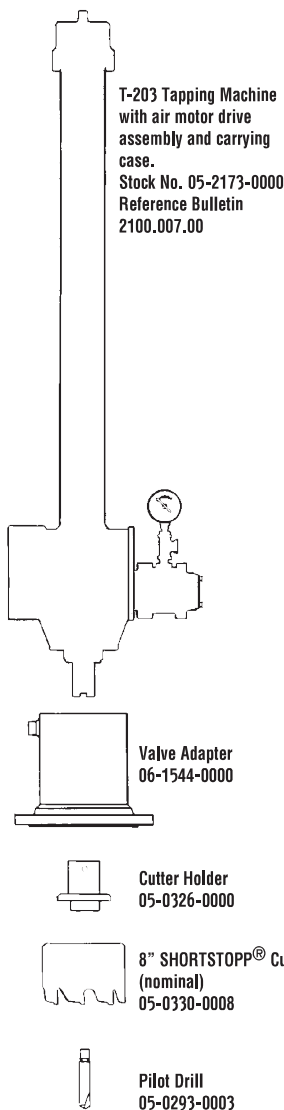


Data Sheet No. SSII-8

Date: 12.2018

Supersedes: 09.2004

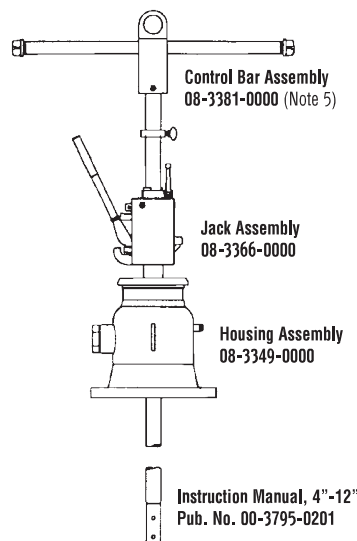
Tapping



Plugging

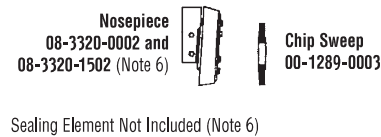
8" Plugging Machine Assembly 08-3500-0800

Includes items below



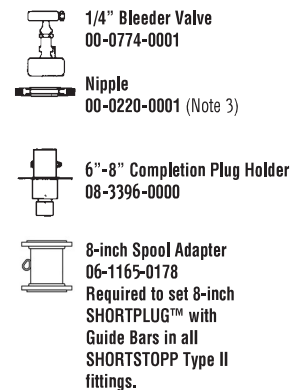
Standard Plugging Head Assembly 08-3320-0000

Includes items below



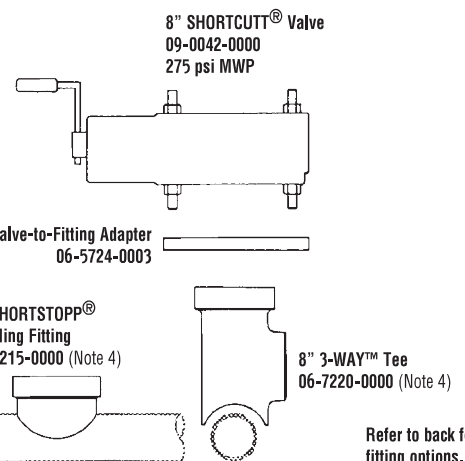
Bleeder Valve Accessory

Purchased separately



Sight Glass Kit 08-3424-0000-02 (Note 2)

See Sight Glass Data Sheet for details



Notes

- Maximum Working Pressure and Temperature:** 60 psi at 180°F with standard plugging head components; 150 psi at 100°F or 120 psi at 180°F, with special cups/nosepieces (see chart at right).
- Sight Glass Kit** - Requires the use of the 8" T-203 Tapping Adapter, Part No. 06-1544-0000.
- Bleeder valve and nipple** are provided with TDW Drilling Machines.
- Fitting** - Leaf-type completion plug and blind flange included.
- 6" x 8" Control Bar Assembly** may also be used.
- Sealing Elements** - Refer to chart at right.

Pipe ID	60 psi MWP Sealing Element	60 psi MWP Nosepiece	Pipe ID	150 psi MWP Sealing Element	150 psi MWP Nosepiece
8.250-8.280	08-1719-0008-01	08-3320-1502	8.281-8.311	08-3428-0008-01	08-3320-1502
8.188-8.249	08-1719-0008-02	08-3320-1502	8.250-8.280	08-3428-0008-02	08-3320-1502
7.938-8.281	08-0114-0008-00	08-3320-0002	7.981-8.000	08-3427-0008-00	08-3320-0002
7.625-7.687	08-0114-0008-05	08-3320-0002	7.625-7.687	08-3427-0008-06	08-3320-0002

Consult factory for unlisted pipe ID.

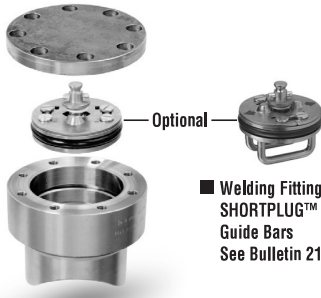
North & South America: +1 918 447 5000 ■ Europe / Africa / Middle East: +32 67 28 3611 ■ Asia Pacific: +65 6364 8520 ■ www.tdwilliamson.com

Data subject to change without notice. / Dimensions not for construction unless certified. / ® Registered trademark of T.D. Williamson in the United States and in other countries. / TM Trademark of T.D. Williamson in the United States and in other countries. / © Copyright 2018. All rights reserved T.D. Williamson / Printed in USA



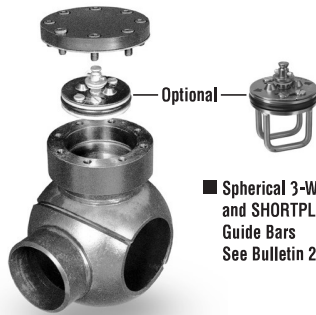
Data Sheet No. **SSII-8**

Tapping and **SHORTSTOPP® II** Plugging Machine 8" Gas Main



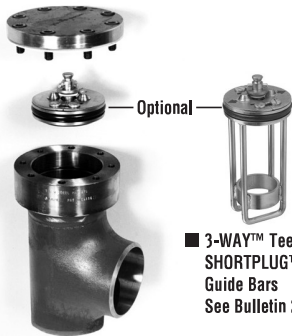
■ **Welding Fitting and SHORTPLUG™ with Guide Bars**
See Bulletin 2100.013

■ **Welding Fitting**
See Bulletin 2100.003



■ **Spherical 3-WAY™ Tee and SHORTPLUG™ with Guide Bars**
See Bulletin 2100.014

■ **Spherical 3-WAY™ Tee**
See Bulletin 2100.007



■ **3-WAY™ Tee and SHORTPLUG™ with Guide Bars**
See Bulletin 2100.012

■ **3-WAY™ Tee**
See Bulletin 2100.002



■ **Mechanical SHORTSLEEVE™ Fitting**
See Bulletin 2110.001

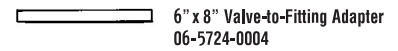


■ **Branch Type II 3-WAY™ Tee**
See Bulletin 2100.011

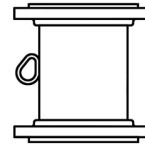


■ **Branch Type II Plugging Fitting**
See Bulletin 2100.010

■ **Note:** If you already have 8" **SHORTSTOPP® II** plugging equipment, the additional accessories shown below are all that are needed to plug 6" mains (plus Welding Fittings).



6" x 8" Valve-to-Fitting Adapter
06-5724-0004



8-inch Spool Adapter
06-1165-0178
Required to set 8-inch **SHORTPLUG™** with Guide Bars in all **SHORTSTOPP** Type II fittings.



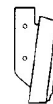
6" **SHORTSTOPP®** Cutter (nominal)
05-0446-0006



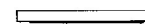
Pilot Drill
05-0293-0002



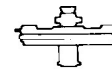
Completion Plug Holder
08-3396-0000



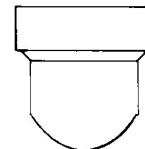
6" Plugging Head with Sealing Cup and Chip Sweep
08-3318-0000



Cover Flange



Completion Plug



Fitting

6" Welding Fitting includes: cover flange with bolts, gasket and plastic caplugs, completion plug and O-ring.
Stock No. 06-5713-0000

■ **Note:** Consult your TDW representative for additional fitting options.

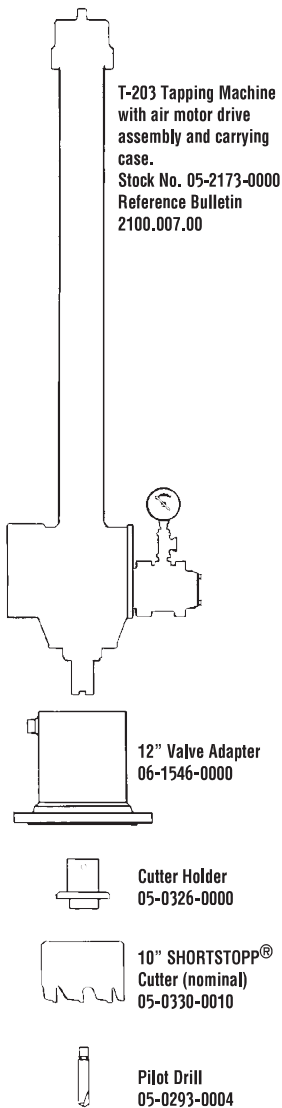
SHORTSTOPP® II 10" Size-on-Size Plugging Machine

(2-1/2" Dia. Control Bar)



Data Sheet No. SSII-10
 Date: 12.2018
 Supersedes: 09.2004

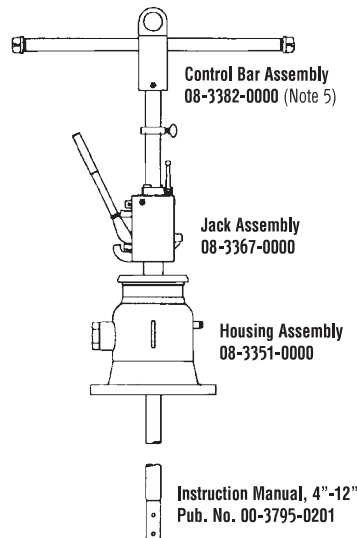
Tapping



Plugging

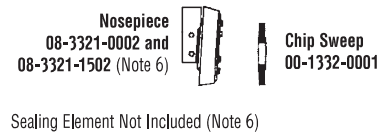
10" Plugging Machine Assembly 08-3500-1000

Includes items below



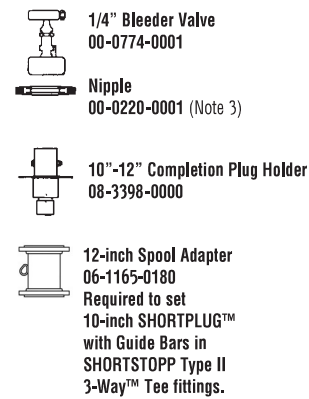
Standard Plugging Head Assembly 08-3321-0000

Includes items below



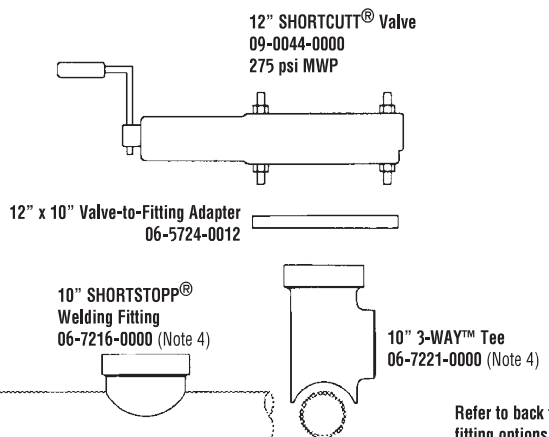
Bleeder Valve Accessory

Purchased separately



Sight Glass Kit 08-3424-0000-02 (Note 2)

See Sight Glass Data Sheet for details



Notes

- Maximum Working Pressure and Temperature:** 60 psi at 180°F with standard plugging head components; 150 psi at 100°F or 120 psi at 180°F, with special cups/nosepieces (see chart at right).
- Sight Glass Kit** - Requires the use of the 12" T-203 Tapping Adapter, Part No. 06-1546-0000.
- Bleeder valve and nipple** are provided with TDW Drilling Machines.
- Fitting** - Leaf-type completion plug and blind flange included.
- 8" x 12" Control Bar Assembly** Part No. 08-3389-0000 may also be used.
- Sealing Elements** - Refer to chart at right.

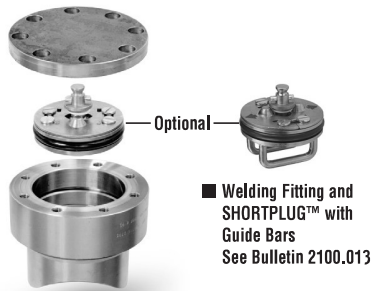
Pipe ID	60 psi MWP Sealing Element	60 psi MWP Nosepiece	Pipe ID	150 psi MWP Sealing Element	150 psi MWP Nosepiece
10.312-10.374	08-1719-0010-01	08-3321-1502	10.312-10.374	08-3428-0010-01	08-3321-1502
10.250-10.311	08-1719-0010-02	08-3321-1502	10.250-10.311	08-3428-0010-02	08-3321-1502
9.938-10.375	08-0114-0010-00	08-3321-0002	10.000-10.062	08-3427-0010-00	08-3321-0002
9.750-9.811	08-0114-0010-03	08-3321-0002	9.750-9.811	08-3427-0010-04	08-3321-0002

Consult factory for unlisted pipe ID.



Data Sheet No. **SSII-10**

Tapping and **SHORTSTOPP® II** Plugging Machine 10" Gas Main



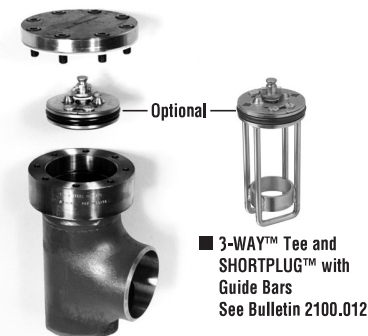
■ **Welding Fitting and SHORTPLUG™ with Guide Bars**
See Bulletin 2100.013

■ **Welding Fitting**
See Bulletin 2100.003



■ **Spherical 3-WAY™ Tee and SHORTPLUG™ with Guide Bars**
See Bulletin 2100.014

■ **Spherical 3-WAY™ Tee**
See Bulletin 2100.007



■ **3-WAY™ Tee and SHORTPLUG™ with Guide Bars**
See Bulletin 2100.012

■ **3-WAY™ Tee**
See Bulletin 2100.002



■ **Mechanical SHORTSLEEVE™ Fitting**
See Bulletin 2110.001

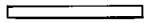


■ **Branch Type II 3-WAY™ Tee**
See Bulletin 2100.011



■ **Branch Type II Plugging Fitting**
See Bulletin 2100.010

■ **Note:** If you already have 12" **SHORTSTOPP® II** plugging equipment, the additional accessories shown below are all that are needed to plug 10" mains (plus Welding Fittings).

 **10" x 12" Valve-to-Fitting Adapter**
06-5724-0012

 **12-inch Spool Adapter**
06-1165-0180
Required to set 10-inch **SHORTPLUG™** with Guide Bars in **SHORTSTOPP Type II 3-Way™** Tee fittings.

 **10" **SHORTSTOPP®** Cutter (nominal)**
05-0446-0010

 **Pilot Drill**
05-0293-0004

 **10" Plugging Head, Sealing Cup and Chip Sweep**
08-3321-0000

 **Cover Flange**

 **Completion Plug**

 **Welding Fitting**
10" Welding Fitting includes: cover flange with bolts, gasket and plastic caplugs, completion plug and O-ring.
Stock No. 06-7216-0000

10" **SHORTCUTT®** Valve not available. The 10" **SHORTSTOPP® II** Plugging Machine is equipped with 12" housing for use with 12" **SHORTCUTT®** Valve and 10" x 12" adapter.

■ **Note:** Consult your TDW representative for additional fitting options.

SHORTSTOPP® II 12" Size-on-Size Plugging Machine

(2-1/2" Dia. Control Bar)

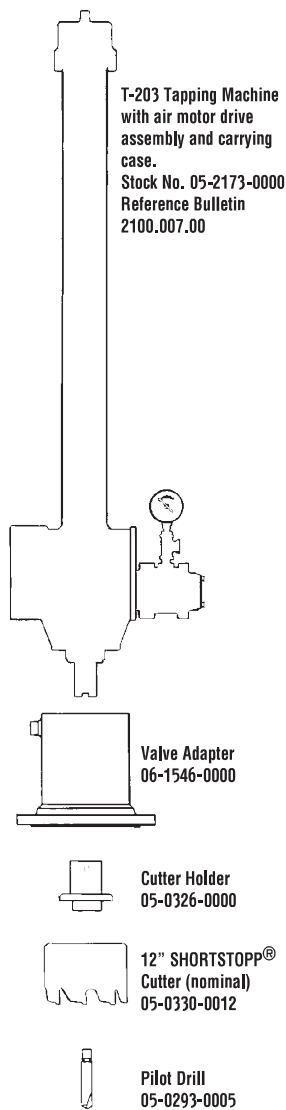


Data Sheet No. SSII-12

Date: 12.2018

Supersedes: 09.2004

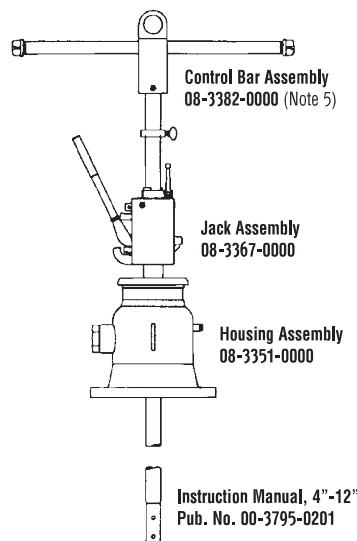
Tapping



Plugging

12" Plugging Machine Assembly 08-3500-1200

Includes items below



Standard Plugging Head Assembly 08-3322-0000

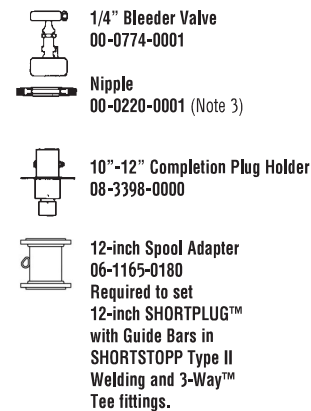
Includes items below



Sealing Element Not Included (Note 6)

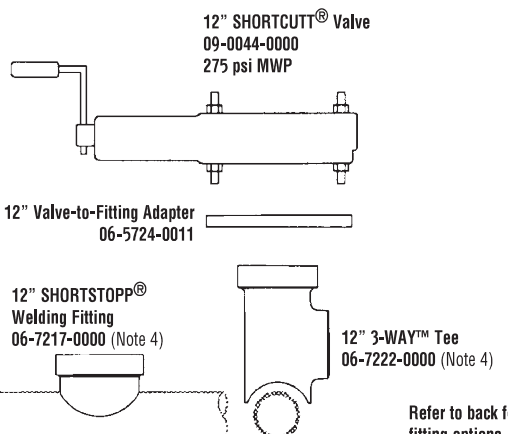
Bleeder Valve Accessory

Purchased separately



Sight Glass Kit 08-3424-0000-02 (Note 2)

See Sight Glass Data Sheet for details



Notes

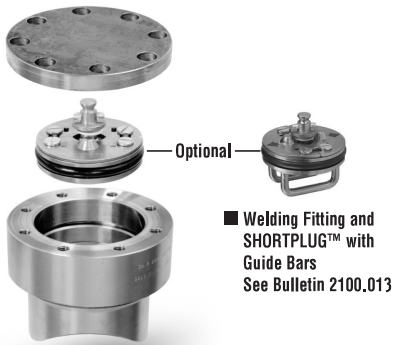
- Maximum Working Pressure and Temperature:** 60 psi at 180°F with standard plugging head components; 150 psi at 100°F or 120 psi at 180°F, with special cups/nosepieces (see chart at right).
- Sight Glass Kit** - Requires the use of the 12" T-203 Tapping Adapter, Part No. 06-1546-0000.
- Bleeder valve and nipple** are provided with TDW Drilling Machines.
- Fitting** - Leaf-type completion plug and blind flange included.
- 8" x 12" Control Bar Assembly** Part No. 08-3389-0000 may also be used.
- Sealing Elements** - Refer to chart at right.

Pipe ID	60 psi MWP Sealing Element	60 psi MWP Nosepiece	Pipe ID	150 psi MWP Sealing Element	150 psi MWP Nosepiece
12.250-12.311	08-1719-0012-02	08-3322-1502	12.250-12.311	08-3428-0012-02	08-3322-1502
12.062-12.124	08-1719-0012-05	08-3322-1502	12.000-12.061	08-3428-0012-06	08-3322-1502
11.938-12.375	08-0114-0012-00	08-3322-0002	11.938-11.999	08-3427-0012-00	08-3322-0002
11.750-11.811	08-0114-0012-03	08-3322-0002	11.750-11.811	08-3427-0012-03	08-3322-0002

Consult factory for unlisted pipe IDs.



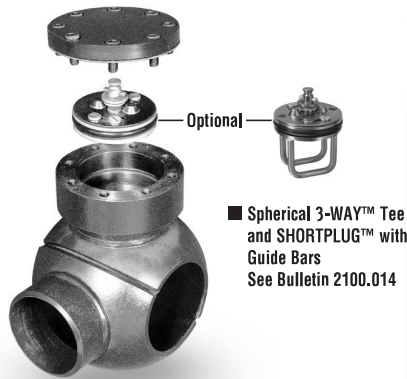
Data Sheet No. **SSII-12**



Optional

■ **Welding Fitting and SHORTPLUG™ with Guide Bars**
See Bulletin 2100.013

■ **Welding Fitting**
See Bulletin 2100.003



Optional

■ **Spherical 3-WAY™ Tee and SHORTPLUG™ with Guide Bars**
See Bulletin 2100.014

■ **Spherical 3-WAY™ Tee**
See Bulletin 2100.007



Optional

■ **3-WAY™ Tee and SHORTPLUG™ with Guide Bars**
See Bulletin 2100.012

■ **3-WAY™ Tee**
See Bulletin 2100.002



■ **Mechanical SHORTSLEEVE™ Fitting**
See Bulletin 2110.001



■ **Branch Type II 3-WAY™ Tee**
See Bulletin 2100.011



■ **Branch Type II Plugging Fitting**
See Bulletin 2100.010

■ **Note:** Consult your TDW representative for additional fitting options.

SHORTSTOPP® II 3" x 4" Reduced Branch Plugging Machine

(1" Dia. Control Bar)

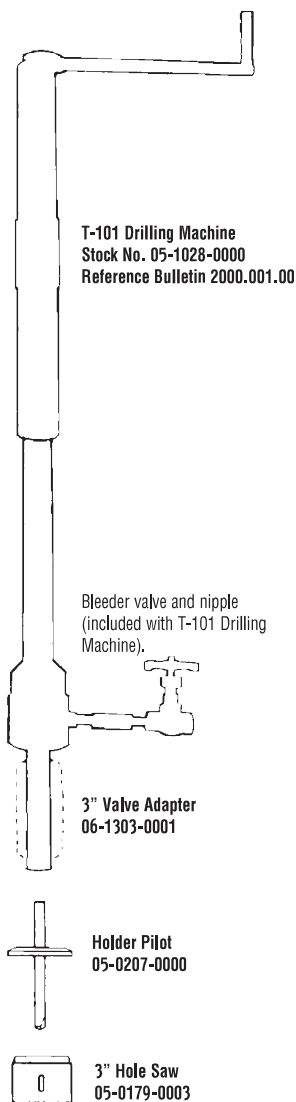


Data Sheet No. SSII-3x4

Date: 12.2018

Supersedes: 09.2004

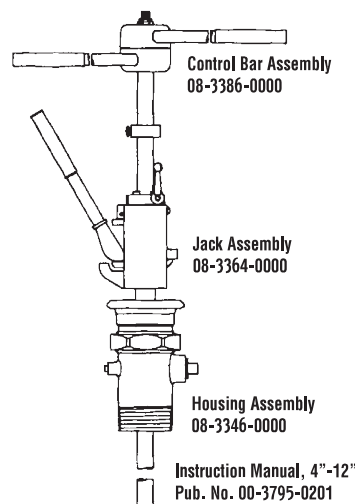
Tapping



Plugging

3" x 4" Plugging Machine Assembly 08-3501-0304

Includes items below



Standard Plugging Head Assembly 08-3326-0000

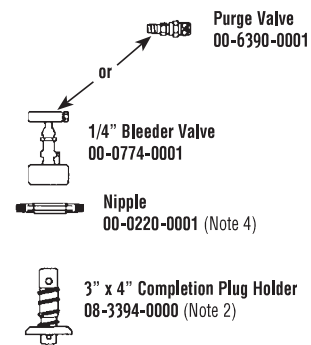
Includes items below



Chip Sweep (see Note 3) or Sight Glass
Sealing Element Not Included (Note 6)

Bleeder Valve Accessory

Purchased separately



Sight Glass Kit 08-3423-0000-03

See Sight Glass Data Sheet for details

Carrying case for plugging machine
sold separately 08-2481-0004

3" SHORTCUTT® Valve
09-0759-0000
500 psi MWP



3" x 4" SHORTSTOPP®
Welding Fitting
26-0324-0000 (Note 5)



3" x 4" 3-WAY™ Tee
26-0325-0000-01
Standard Outlet
26-0325-0000-02
Thinwall Outlet
(Note 3 and Note 5)



Refer to back for
fitting options.

4" Steel Pipe

Notes

- Maximum Working Pressure and Temperature:** 150 psi at 100°F or 120 psi at 180°F. Special cups and/or nosepieces may be required (see chart at right). Pressure rating may be limited by valve selection.
- Solid Completion Plug Holder** - 08-3393-0000
- 3" Plugging Head Kit** adapts folding head plunger to plug 3" size-on-size lines and 3-WAY™ Tee Outlet. Kit 08-3421-0000 includes Plugging Head Assembly 08-3314-0000, chip sweep, and control bar adapter.
- Bleeder valve and nipple** are provided with TDW Drilling Machines.
- Fitting** - Includes threaded completion plug and cap.
- Sealing Elements** - Refer to chart at right.

Pipe ID	150 psi MWP Sealing Element	150 psi MWP Nosepiece
4.188-4.260	08-2332-0004-00	08-3326-0004
4.062-4.125	08-2332-0004-01	08-3326-0004
3.938-4.026	08-2332-0004-02	08-3326-0004
3.750-3.826	08-2332-0004-03	08-3326-0104

Consult factory for unlisted Pipe ID's.

North & South America: +1 918 447 5000 ■ Europe / Africa / Middle East: +32 67 28 3611 ■ Asia Pacific: +65 6364 8520 ■ www.tdwilliamson.com

Data subject to change without notice. / Dimensions not for construction unless certified. / ® Registered trademark of T.D. Williamson in the United States and in other countries / TM Trademark of T.D. Williamson in the United States and in other countries / © Copyright 2018. All rights reserved T.D. Williamson / Printed in USA



Data Sheet No. SSII-3x4

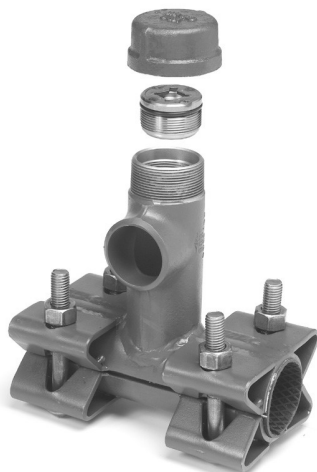
Tapping and SHORTSTOPP® II Plugging Machine **3" x 4" Gas Main**



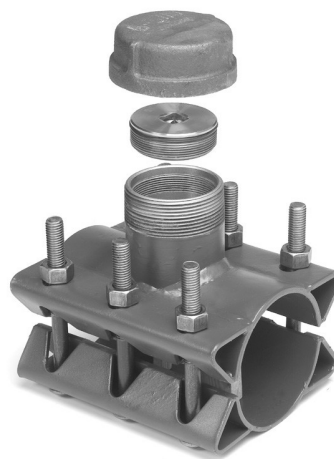
■ **Welding Fitting**
See Bulletin 2100.003.00



■ **3-WAY™ Tee**
See Bulletin 2100.002.00



■ **Branch Type II 3-WAY™ Tee**
See Bulletin 2100.011



■ **Branch Type II Plugging Fitting**
See Bulletin 2100.010

■ **Note:** Consult your TDW representative for additional fitting options.

SHORTSTOPP® II 4" x 6" Reduced Branch Plugging Machine

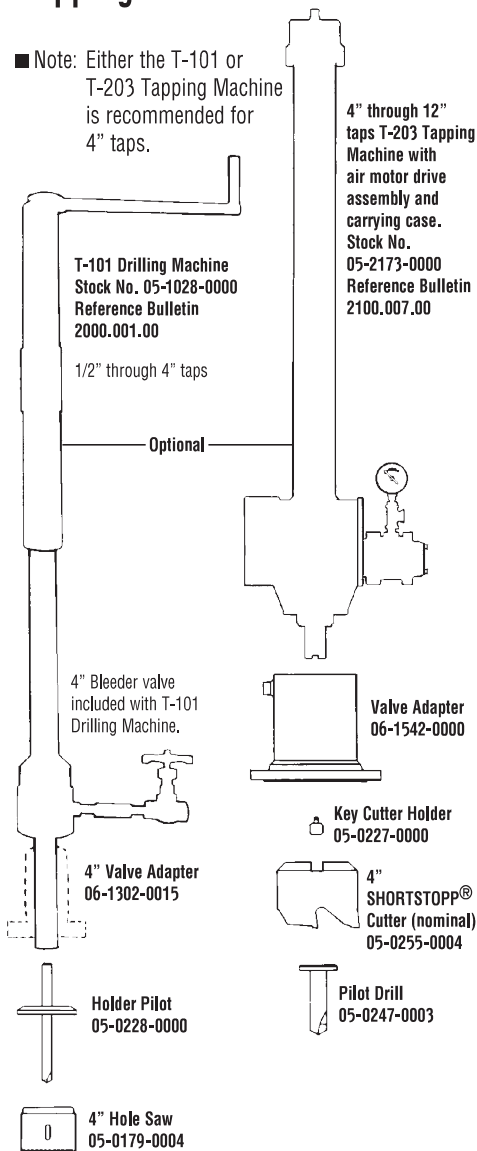
(1-1/4" Dia. Control Bar)



Data Sheet No. **SSII-4x6**
 Date: 12.2018
 Supersedes: 09.2004

Tapping

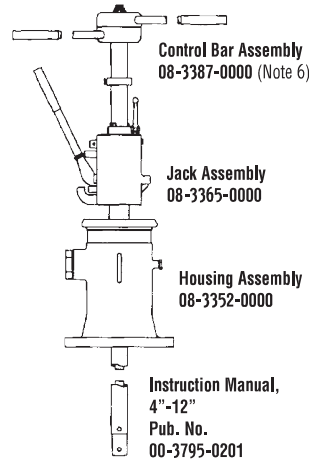
■ Note: Either the T-101 or T-203 Tapping Machine is recommended for 4" taps.



Plugging

4" x 6" Plugging Machine Assembly 08-3501-0406 (with 6" Housing 08-3511-0406)

Includes items below



Standard Plugging Head Assembly 08-3327-0000

Includes items below



Chip Sweep (see Note 6) or Sight Glass
 Sealing Cup Not Included (Note 7)

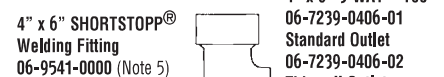
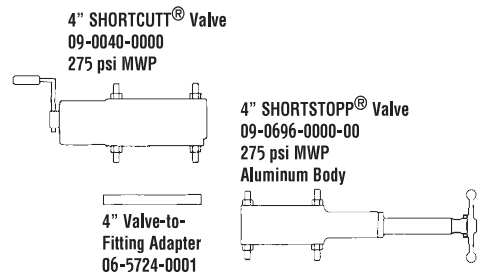
Bleeder Valve Accessory

Purchased separately



Sight Glass Kit 08-3424-0000-01 (Note 3)

See Sight Glass Data Sheet for details



6" Steel Pipe

Refer to back for fitting options.

Notes

- Maximum Working Pressure and Temperature:** 150 psi at 100°F or 120 psi at 180°F. Special cups and/or nosepieces may be required (see chart at right).
- Use 4" x 6" Pilot Drill** when making these **reduced branch taps**: use 05-0228-0000 with T-101 and 05-0247-0004 with 360, T-203. Special Tapping Adapter 06-8872-0005 required with T-101 when using with 6" valve.
- Sight Glass Kit** - Requires the use of the 4" T-203 Tapping Adapter. Part No. 06-1542-0000
- Bleeder valve and nipple** are provided with TDW Drilling Machines.
- Fitting** - Leaf-type completion plug and blind flange included.
- 4" Plugging Head Kit** adapts 1-1/4" control bar to plug 4" size-on-size lines and 3-WAY™ Tee Outlet. Kit 08-3419-0000 includes Plugging Head Assembly 08-3316-0000, chip sweep, control bar adapter and spacer.
- Sealing Elements** - Refer to chart at right.

Pipe ID	150 psi MWP Sealing Element	150 psi MWP Nosepiece
6.250-6.357	08-2332-0006-00	08-3327-1504
6.125-6.188	08-2332-0006-01	08-3327-1504
5.938-6.065	08-2332-0006-02	08-3327-0004
5.750-5.875	08-2332-0006-03	08-3327-0004

Consult factory for unlisted pipe IDs.

North & South America: +1 918 447 5000 ■ Europe / Africa / Middle East: +32 67 28 3611 ■ Asia Pacific: +65 6364 8520 ■ www.tdwilliamson.com

Data subject to change without notice. / Dimensions not for construction unless certified. / ® Registered trademark of T.D. Williamson in the United States and in other countries / TM Trademark of T.D. Williamson in the United States and in other countries / © Copyright 2018. All rights reserved T.D. Williamson / Printed in USA



Data Sheet No. SSII-4x6

Tapping and SHORTSTOPP® II Plugging Machine **4" x 6" Gas Main**



■ **Welding Fitting**
See Bulletin 2100.003.00



■ **3-WAY™ Tee**
See Bulletin 2100.002.00



■ **Branch Type II 3-WAY™ Tee**
See Bulletin 2100.011



■ **Branch Type II Plugging Fitting**
See Bulletin 2100.010

■ **Note:** Consult your TDW representative for additional fitting options.

SHORTSTOPP® II 6" x 8" Reduced Branch Plugging Machine

(1-5/8" Dia. Control Bar)



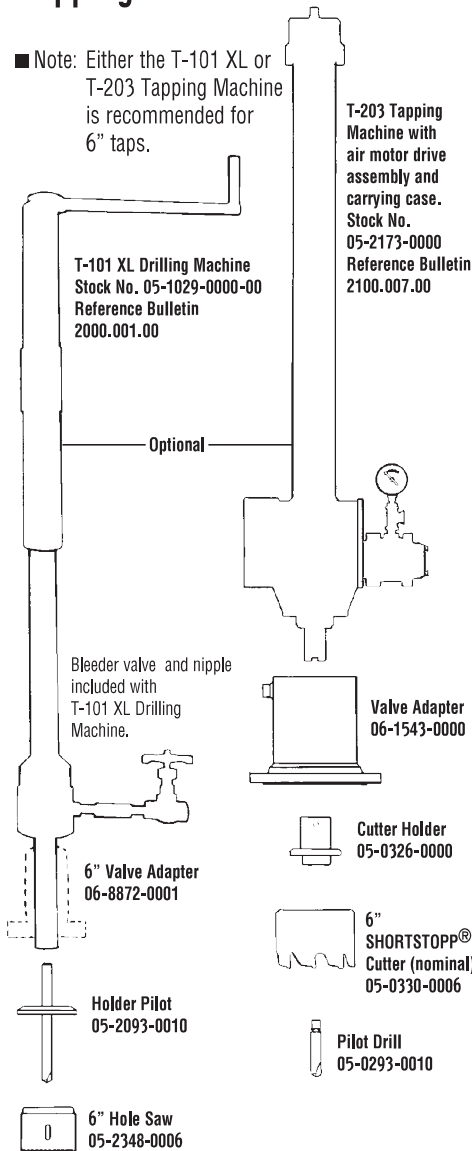
Data Sheet No. SSII-6x8

Date: 12.2018

Supersedes: 09.2004

Tapping

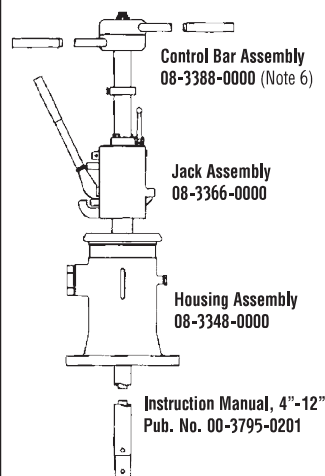
■ Note: Either the T-101 XL or T-203 Tapping Machine is recommended for 6" taps.



Plugging

6" x 8" Plugging Machine Assembly 08-3501-0608

Includes items below



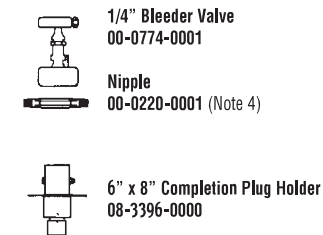
Standard Plugging Head Assembly 08-3329-0000

Includes items below



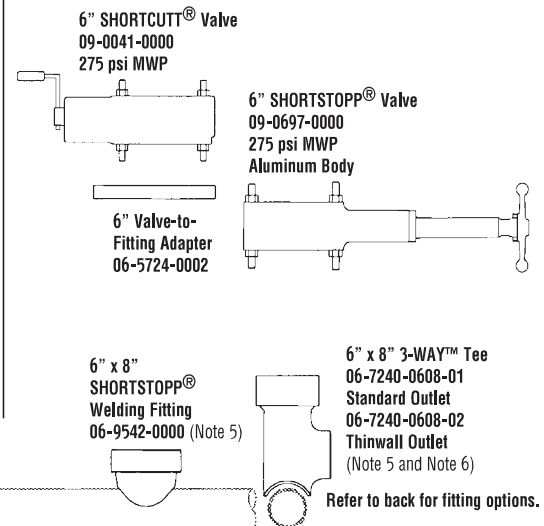
Bleeder Valve Accessory

Purchased separately



Sight Glass Kit 08-3424-0000-02 (Note 3)

See Sight Glass Data Sheet for details



Notes

- Maximum Working Pressure and Temperature:** 150 psi at 100°F or 120 psi at 180°F. Special cups and/or nosepieces may be required (see chart at right).
- Use 6" x 8" Pilot Drill** 05-0293-0010 when making these reduced branch taps.
- Sight Glass Kit** - Requires the use of the 6" T-203 Tapping Adapter, Part No. 06-1543-0000
- Bleeder valve and nipple** are provided with TDW Drilling Machines.
- Fitting** - Leaf-type completion plug and blind flange included.
- Control bar** can be used with 6" plugging head 08-3318-0000 (includes chipsweep) to plug 6" size-on-size lines and 3-WAY™ Tee Outlet.
- Sealing Elements** - Refer to chart at right.

Pipe ID	150 psi MWP Sealing Element	150 psi MWP Nosepiece
8.250-8.329	08-2332-0008-00	08-3329-1504
8.062-8.188	08-2332-0008-01	08-3329-1504
7.875-8.000	08-2332-0008-02	08-3329-0004
7.625-7.812	08-2332-0008-03	08-3329-0004

Consult factory for unlisted Pipe ID's.

North & South America: +1 918 447 5000 ■ Europe / Africa / Middle East: +32 67 28 3611 ■ Asia Pacific: +65 6364 8520 ■ www.tdwilliamson.com

Data subject to change without notice. / Dimensions not for construction unless certified. / ® Registered trademark of T.D. Williamson in the United States and in other countries. / TM Trademark of T.D. Williamson in the United States and in other countries. / © Copyright 2018. All rights reserved T.D. Williamson / Printed in USA



Data Sheet No. SSII-6x8

Tapping and SHORTSTOPP® II Plugging Machine **6" x 8" Gas Main**



■ **Welding Fitting**
See Bulletin 2100.003.00



■ **3-WAY™ Tee**
See Bulletin 2100.002.00



■ **Branch Type II 3-WAY™ Tee**
See Bulletin 2100.011



■ **Branch Type II Plugging Fitting**
See Bulletin 2100.010

■ **Note:** Consult your TDW representative for additional fitting options.

SHORTSTOPP® II 8" x 10" Reduced Branch Plugging Machine

(2-1/2" Dia. Control Bar)

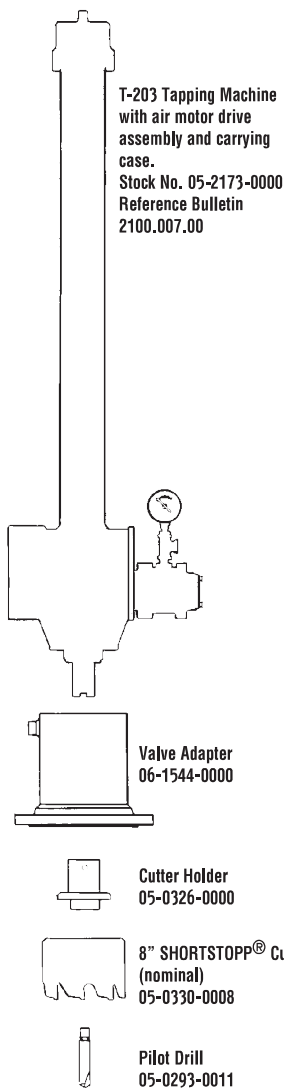


Data Sheet No. **SSII-8x10**

Date: 12.2018

Supersedes: 09.2004

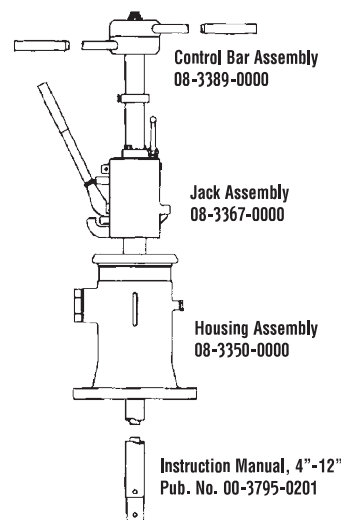
Tapping



Plugging

8" x 10" Plugging Machine Assembly 08-3501-0810

Includes items below



Standard Plugging Head Assembly 08-3330-0000

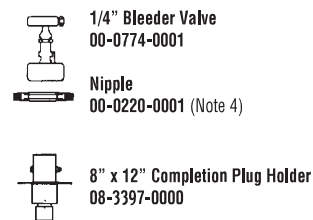
Includes items below



Chip Sweep (see Note 6) or Sight Glass
Sealing Element Not Included (Note 8)

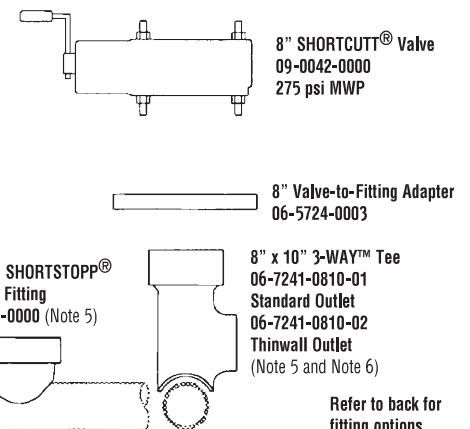
Bleeder Valve Accessory

Purchased separately



Sight Glass Kit 08-3424-0000-02 (Note 3)

See Sight Glass Data Sheet for details



Notes

- Maximum Working Pressure and Temperature:** 150 psi at 100°F or 120 psi at 180°F. Special cups and/or nosepieces may be required (see chart at right).
- Use 8" x 10" Pilot Drill** 05-0293-0011 for **reduced branch taps**. With 660/760 Tapping Machine use 8" x 12" Tapping Adapter 06-6102-0017.
- Sight Glass Kit** - Requires the use of the 8" T-203 Tapping Adapter, Part No. 06-1544-0000
- Bleeder valve and nipple** are provided with TDW Drilling Machines.
- Fitting** - Leaf-type completion plug and blind flange included.
- 8" Plugging Head Kit** adapts folding head plunger to plug 8" size-on-size lines and 3-WAY™ Tee Outlet. Kit 08-3420-0000 includes Plugging Head Assembly 08-3320-0000, chip sweep, and adapter.
- With an **8" x 12" Plugging Head**, Nosepiece and Cup, 12" pipe can be plugged. (See 8" x 12" Data Sheet.)
- Sealing Elements** - Refer to chart at right.

Pipe ID	150 psi MWP Sealing Element	150 psi MWP Nosepiece
10.250-10.375	08-2332-0010-00	08-3330-1504
10.062-10.188	08-2332-0010-01	08-3330-1504
9.938-10.020	08-2332-0010-02	08-3330-0004
9.688-9.875	08-2332-0010-03	08-3330-0004

Consult factory for unlisted Pipe ID's.

North & South America: +1 918 447 5000 ■ Europe / Africa / Middle East: +32 67 28 3611 ■ Asia Pacific: +65 6364 8520 ■ www.tdwilliamson.com

Data subject to change without notice. / Dimensions not for construction unless certified. / ® Registered trademark of T.D. Williamson in the United States and in other countries. / TM Trademark of T.D. Williamson in the United States and in other countries. / © Copyright 2018. All rights reserved T.D. Williamson / Printed in USA



Data Sheet No. SSII-8 x 10

Tapping and SHORTSTOPP® II Plugging Machine **8" x 10" Gas Main**



■ **Welding Fitting**
See Bulletin 2100.003.00



■ **3-WAY™ Tee**
See Bulletin 2100.002.00



■ **Branch Type II 3-WAY™ Tee**
See Bulletin 2100.011



■ **Branch Type II Plugging Fitting**
See Bulletin 2100.010

■ **Note:** Consult your TDW representative for additional fitting options.

SHORTSTOPP® II 8" x 12" Reduced Branch Plugging Machine

(2-1/2" Dia. Control Bar)

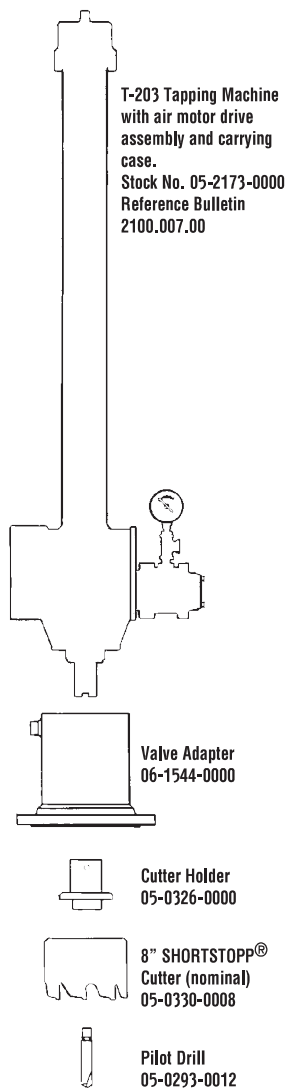


Data Sheet No. SSII-8x12

Date: 12.2018

Supersedes: 09.2004

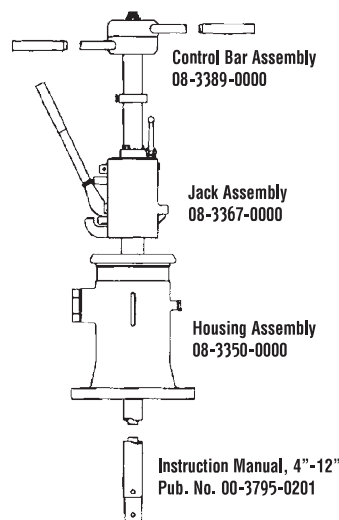
Tapping



Plugging

8" x 12" Plugging Machine Assembly 08-3501-0812

Includes items below



Standard Plugging Head Assembly 08-3331-0000

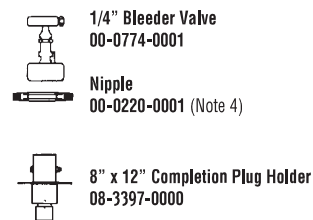
Includes items below



Chip Sweep (see Note 6) or Sight Glass
Sealing Element Not Included (Note 8)

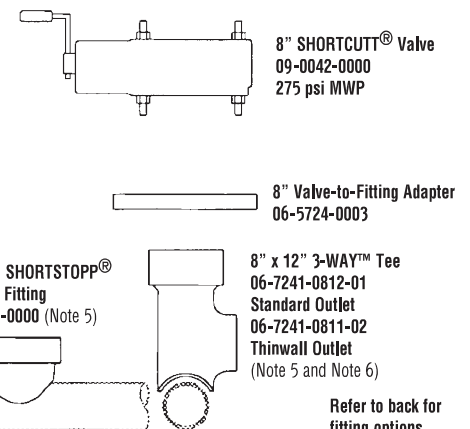
Bleeder Valve Accessory

Purchased separately



Sight Glass Kit 08-3424-0000-02 (Note 3)

See Sight Glass Data Sheet for details



Notes

- Maximum Working Pressure and Temperature:** 150 psi at 100°F or 120 psi at 180°F. Special cups and/or nosepieces may be required (see chart at right).
- Use 8" x 12" Pilot Drill** 05-0293-0012 and **8" x 10/12" Tapping Adapter** 06-6102-0017 when making these reduced branch taps, with 660 or 760 TM.
- Sight Glass Kit** - Requires the use of the 8" T-203 Tapping Adapter, Part No. 06-1544-0000
- Bleeder valve and nipple** are provided with TDW Drilling Machines.
- Fitting** - Leaf-type completion plug and blind flange included.
- 8" Plugging Head Kit** adapts folding head plunger to plug 8" size-on-size lines and 3-WAY™ Tee Outlet. Kit 08-3420-0000 includes Plugging Head Assembly 08-3320-0000, chip sweep, and adapter.
- With an **8" x 10" Plugging Head Assembly** Nosepiece and Cups, 10" pipe can be plugged. (See 8" x 10" Data Sheet.)
- Sealing Elements** - Refer to chart at right.

Pipe ID	150 psi MWP Sealing Element	150 psi MWP Nosepiece
12.250-12.390	08-2332-0012-00	08-3331-1504
12.062-12.188	08-2332-0012-01	08-3331-1504
11.875-12.000	08-2332-0012-02	08-3331-0004
11.688-11.812	08-2332-0012-03	08-3331-0004

Consult factory for unlisted Pipe ID's.

North & South America: +1 918 447 5000 ■ Europe / Africa / Middle East: +32 67 28 3611 ■ Asia Pacific: +65 6364 8520 ■ www.tdwilliamson.com

Data subject to change without notice. / Dimensions not for construction unless certified. / ® Registered trademark of T.D. Williamson in the United States and in other countries / TM Trademark of T.D. Williamson in the United States and in other countries / © Copyright 2018. All rights reserved T.D. Williamson / Printed in USA



Data Sheet No. SSII-8 x 12

Tapping and SHORTSTOPP® II Plugging Machine **8" x 12" Gas Main**



■ **Welding Fitting**
See Bulletin 2100.003.00



■ **3-WAY™ Tee**
See Bulletin 2100.002.00



■ **Branch Type II 3-WAY™ Tee**
See Bulletin 2100.011



■ **Branch Type II Plugging Fitting**
See Bulletin 2100.010

■ **Note:** Consult your TDW representative for additional fitting options.

SHORTSTOPP® II Plugging System for 4" + 6" PE Applications

(1" Dia. Control Bar)

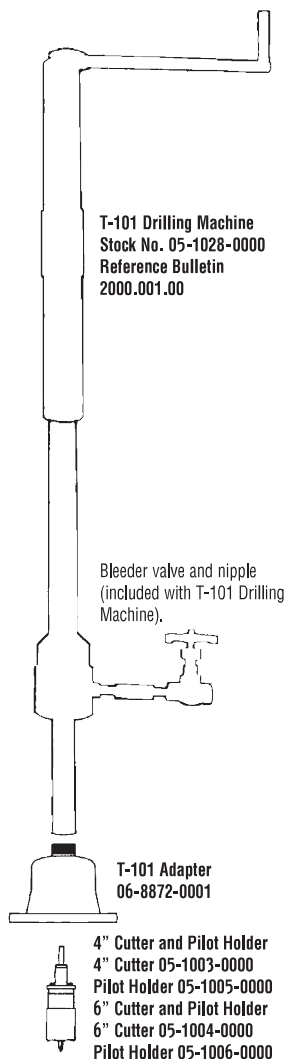


Data Sheet No. SSII-4x6PE

Date: 12.2018

Supersedes: 09.2004

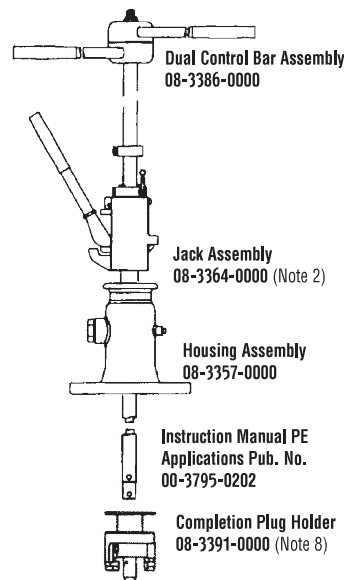
Tapping



Plugging

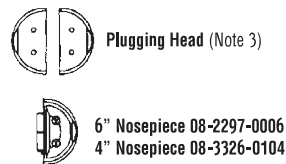
4" + 6" PE Plugging Machine Assembly 08-3503-0646 (Note 7)

Includes items below



6" PE Plugging Head Assembly 08-3333-0000

Includes items below



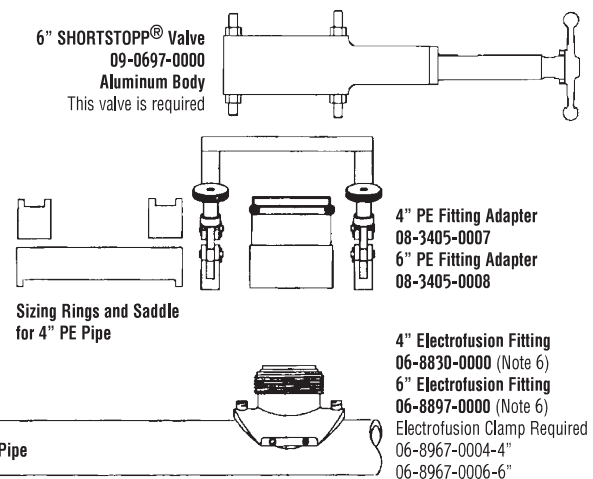
Sealing Element Not Included

Bleeder Valve Accessory

Purchased separately



4" + 6" Pipe Support Assembly 08-3405-0000



Notes

1. **Maximum Working Pressure and Temperature:** 100 psi at 100°F.
2. **Plugging Machine Assembly without Jack** is available for 60 psi or less. Part No. 08-3507-0646, or 0606, or 0604 (See note 7) (Includes control bar lock only.)
3. **Plugging Head** components, less nosepieces and sealing elements, are the same as those included in 3" x 4" steel plugging head assembly, Part No. 08-3326-0000.
4. **PE Adapter Kit** 08-3416-0000 is available for **converting 3" x 4" steel plugging equipment** for use on polyethylene pipe. Kit includes Plugging Machine Assembly 08-3503-0646 except control bar jack, and plugging head components (see Note 3).

5. **Bleeder valve and nipple** are provided with TDW Drilling Machines.
6. **Fitting** - Leaf-type completion plug and cap included. To apply the fitting to the pipe, a Fusion Clamp is required. 4" Fusion Clamp 06-8967-0004, 6" Fusion Clamp 06-8967-0006. Consult your TDW representative for fitting specifications.
7. **6" Plugging Assembly Components only**, Part No. 08-3503-0606, **4" Plugging Assembly Components only**, Part No. 08-3503-0604.
8. See 08-3509-0646 for stand-alone completion machine, including plug holder.

Kit with 6" Components only Part No. 08-3415-0000. Kit with 4" Components only

North & South America: +1 918 447 5000 ■ Europe / Africa / Middle East: +32 67 28 3611 ■ Asia Pacific: +65 6364 8520 ■ www.tdwilliamson.com

Data subject to change without notice. / Dimensions not for construction unless certified. / ® Registered trademark of T.D. Williamson in the United States and in other countries / TM Trademark of T.D. Williamson in the United States and in other countries / © Copyright 2018. All rights reserved T.D. Williamson / Printed in USA

Sight Glass Assembly for 1-1/4" - 3"

Applications 08-3423-0000-SUFFIX

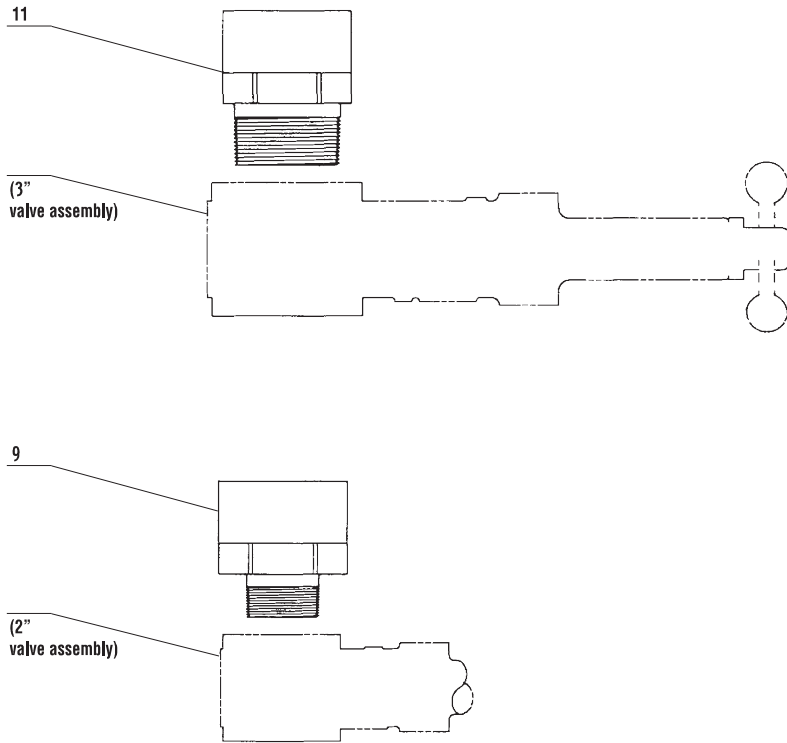
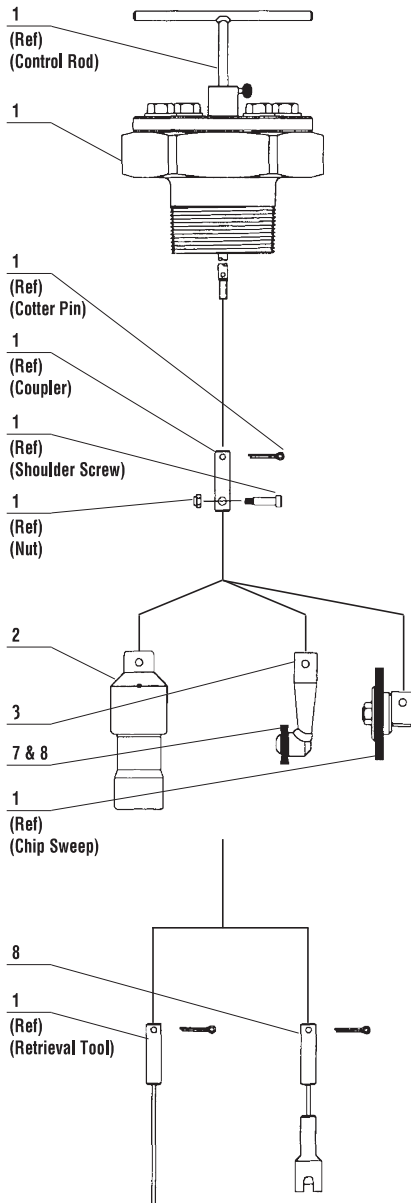


Data Sheet No. **SG 1-1/4 - 3**

Date: 12.2018

Cross Indexing No: See Note 5

Supersedes: 09.2004



Item	Quantity by Suffix (Note 3)				Description	Part Number
	-03	-02	-01	-00		
1	1	1	1	1	Sight Glass Assembly	08-2340-0000
2	1	1	-	1	Chip Remover Assembly (2"-4")	08-2341-0000
3	-	-	1	1	Plugging Head (1-1/4")	08-0352-0001-01
6	-	-	1	1	Wire Brush (1-1/4")	00-0025-0061
7	-	-	1	1	Button Head Socket Cap Screw	00-0307-0600-05
8	1	1	1	1	Magnet Assembly	08-3426-0000
9	-	1	1	1	Reducer (3" x 2")	08-2340-0004
11	1	-	-	1	Adapter (3")	08-2340-0005

Notes

1. **Maximum Working Pressure:** 500 psi at 100°F
2. **Maximum Working Temperature:** 180°F at 440 psi
3. **Sight Glass Assembly for Inspection/Retrieval with Chip Sweep Only** (no magnets) use Item 1, 08-2340-0000. For 2" applications, Item 9 is also required, 08-2340-0004.
4. **Kit Suffix Number and Pipe Size** - Refer to chart at right.
5. **Cross Indexing Number:** SHORTSTOPP® II Bulletin 2080.001.00; T-101 Bulletin 2000.001.00.

Suffix	Nom. Pipe Size
-00	1-1/4"-3"
-01	1-1/4"-1-1/2"
-02	2"
-03	3"-4"

Sight Glass Assembly for 4"-12"

Applications 08-3424-0000-SUFFIX

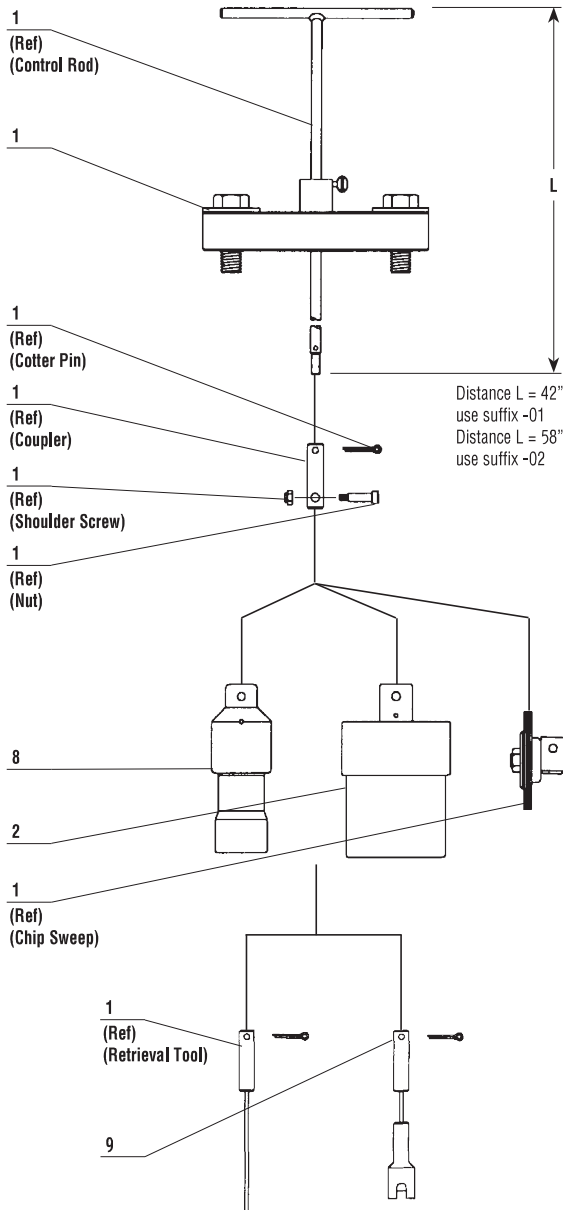


Data Sheet No. **SG 4-12**

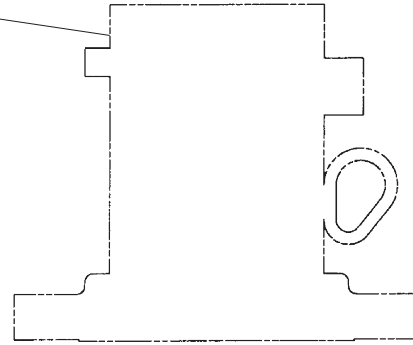
Date: 12.2018

Cross Indexing No: See Note 6

Supersedes: 04.2009



(T-203 Tapping Adapter)
(note 5)



Item	Quantity by Suffix (Note 3)			Description	Part Number
	-02	-01	-00		
1	-	1	-	Sight Glass Assembly (4"-6")	08-2339-0000-01
1	1	-	1	Sight Glass Assembly (8"-12")	08-2339-0000-02
2	1	-	1	Chip Remover Assembly (6"-12")	08-3422-0000
8	-	1	1	Chip Remover (2"-4")	08-2341-0000
9	1	1	1	Chip Remover (2")	08-3426-0000

Notes

1. **Maximum Working Pressure:** 500 psi at 100°F
2. **Maximum Working Temperature:** 180°F at 440 psi
3. **Sight Glass Assembly for Inspection/Retrieval with Chip Sweep Only** (no magnets) use Item 1 for appropriate size range shown, 08-2339-0000 SUFF. To cover the complete size range 4"-12", use 08-2339-0000-02
4. Sight Glass requires T-203 Tapping Adapter, (not included)
5. **Kit Suffix Number and Pipe Size** - Refer to chart at right.
6. **Cross Indexing Number:** SHORTSTOPP® II Bulletin 2080.001.00; T-203 Bulletin 2100.007.00.

Suffix	Nom. Pipe Size
-00	4"-12"
-01	4"-6"
-02	8"-12"

North & South America: +1 918 447 5000 ■ Europe / Africa / Middle East: +32 67 28 3611 ■ Asia Pacific: +65 6364 8520 ■ www.tdwilliamson.com

Data subject to change without notice. / Dimensions not for construction unless certified. / ® Registered trademark of T.D. Williamson in the United States and in other countries / TM Trademark of T.D. Williamson in the United States and in other countries / © Copyright 2018. All rights reserved T.D. Williamson / Printed in USA

Sight Glass Assembly for 1-1/4" - 3"

Applications 08-3423-0000-SUFFIX



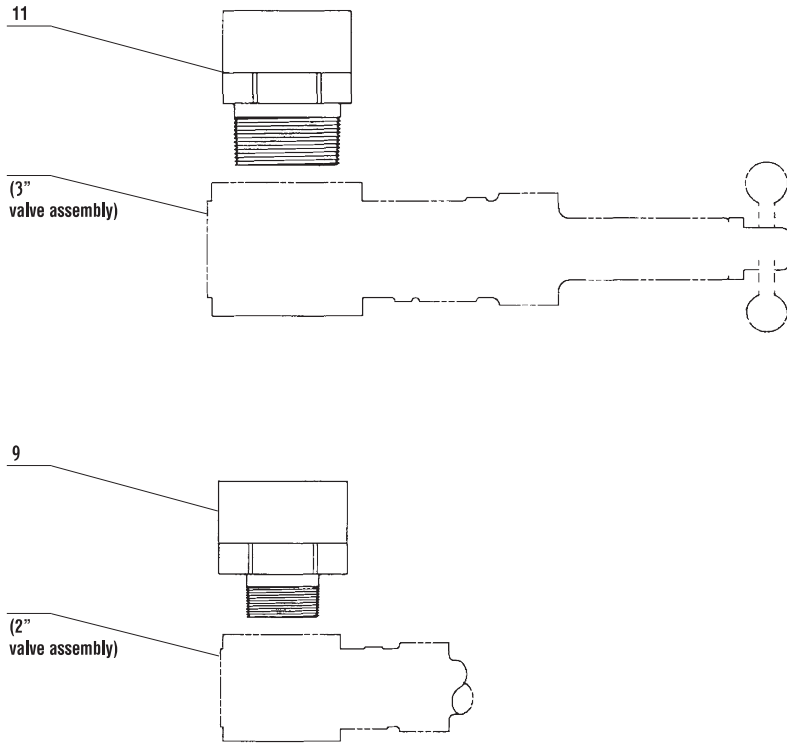
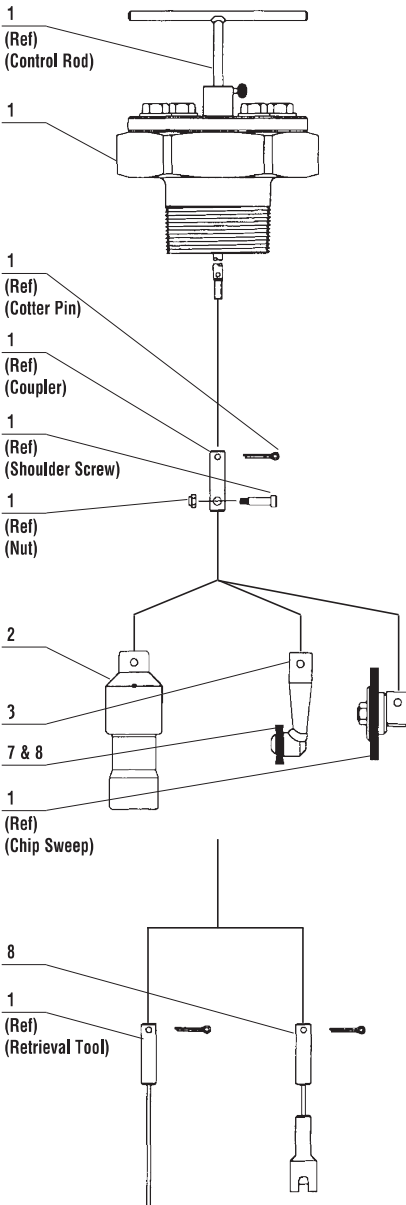
T.D. Williamson, Inc.

Data Sheet No. SG 1-1/4 - 3

Date: September 2004

Cross Indexing No: See Note 5

Supersedes: December 2003



Item	Quantity by Suffix (Note 3)				Description	Part Number
	-03	-02	-01	-00		
1	1	1	1	1	Sight Glass Assembly	08-2340-0000
2	1	1	-	1	Chip Remover Assembly (2"-4")	08-2341-0000
3	-	-	1	1	Plugging Head (1-1/4")	08-0352-0001-01
6	-	-	1	1	Wire Brush (1-1/4")	00-0025-0061
7	-	-	1	1	Button Head Socket Cap Screw	00-0307-0600-05
8	1	1	1	1	Magnet Assembly	08-3426-0000
9	-	1	1	1	Reducer (3" x 2")	08-2340-0004
11	1	-	-	1	Adapter (3")	08-2340-0005

Notes

1. Maximum Working Pressure: 500 psi at 100°F
2. Maximum Working Temperature: 180°F at 440 psi
3. Sight Glass Assembly for Inspection/Retrieval with Chip Sweep Only (no magnets) use Item 1, 08-2340-0000. For 2" applications, Item 9 is also required, 08-2340-0004.
4. Kit Suffix Number and Pipe Size - Refer to chart at right.
5. Cross Indexing Number: SHORTSTOPP® II Bulletin 2080.001.00; T-101 Bulletin 2000.001.00.

Suffix	Nom. Pipe Size
-00	1-1/4"-3"
-01	1-1/4"-1-1/2"
-02	2"
-03	3"-4"

Sight Glass Assembly for 4" - 12"

Applications 08-3424-0000-SUFFIX



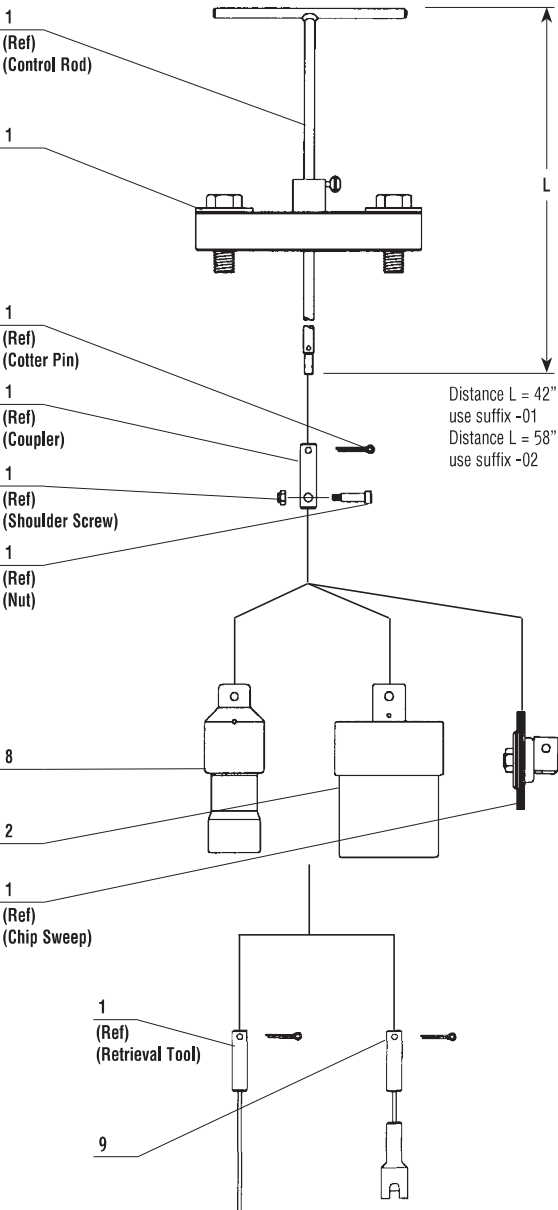
T.D. Williamson, Inc.

Data Sheet No. **SG 4-12**

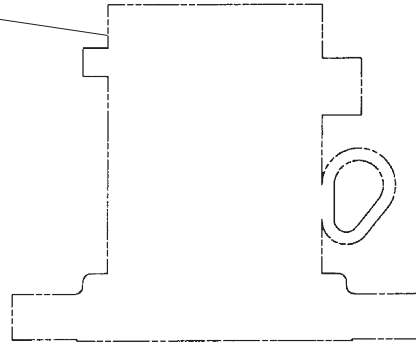
Date: April 2009

Cross Indexing No: See Note 6

Supersedes: September 2004



(T-203
Tapping Adapter)
(note 5)



Item	Quantity by Suffix (Note 3)			Description	Part Number
	-02	-01	-00		
1	-	1	-	Sight Glass Assembly (4"-6")	08-2339-0000-01
1	1	-	1	Sight Glass Assembly (8"-12")	08-2339-0000-02
2	1	-	1	Chip Remover Assembly (6"-12")	08-3422-0000
8	-	1	1	Chip Remover (2"-4")	08-2341-0000
9	1	1	1	Chip Remover (2")	08-3426-0000

Notes

1. **Maximum Working Pressure:** 500 psi at 100°F
2. **Maximum Working Temperature:** 180°F at 440 psi
3. **Sight Glass Assembly for Inspection/Retrieval with Chip Sweep Only** (no magnets) use Item 1 for appropriate size range shown, 08-2339-0000 SUFF. To cover the complete size range 4"-12", use 08-2339-0000-02
4. Sight Glass requires T-203 Tapping Adapter, (not included)
5. **Kit Suffix Number and Pipe Size** - Refer to chart at right.
6. **Cross Indexing Number:** SHORTSTOPP® II Bulletin 2080.001.00; T-203 Bulletin 2100.007.00.

Suffix	Nom. Pipe Size
-00	4"-12"
-01	4"-6"
-02	8"-12"