



SmartTrap[®] Launchers & Receivers

For Pipelines 6- through 36-inch



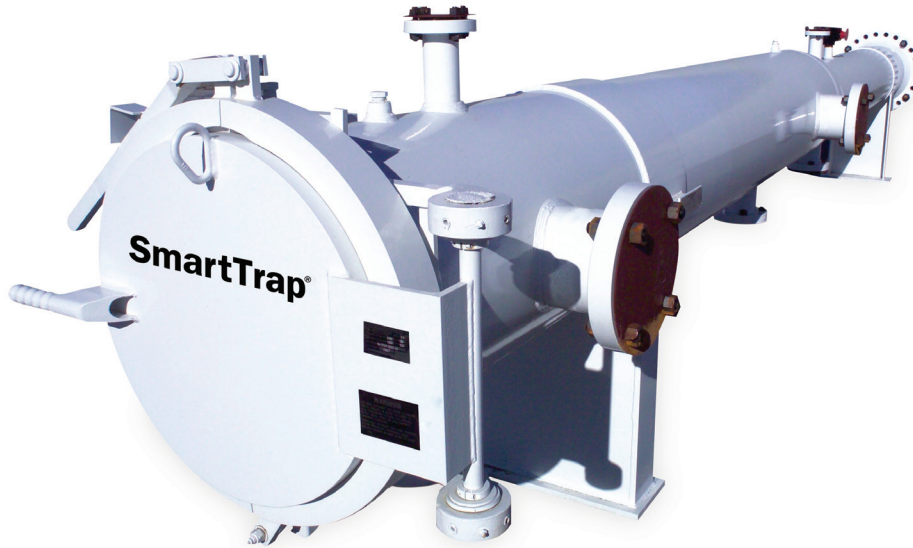
T.D. Williamson, Inc.

Bulletin No: **5000.001.01**

Date: February 2007

Cross Indexing No: n/a

Supersedes: n/a



■ SmartTrap[®] Launching & Receiving Barrels

Description

Rugged and dependable TDW SmartTrap[®] Launchers and Receivers are designed and built with the consistent high quality workmanship required to meet the demands of pipeline operators the world over. With decades of accumulated "hands-on" experience, TDW produces launchers and receivers designed by experts to handle the toughest field conditions. You can find them on offshore platforms, deep in the heart of remote mountain ranges, immersed in steamy tropical environments, in the hottest deserts and handling bitterly cold extremes above the Arctic Circle.

TDW SmartTrap Launchers and Receivers are designed to meet all your pigging needs:

- Inline Inspection
- Pipeline Cleaning
- Batching
- Displacement.

Standardized features included on TDW SmartTrap Launchers and Receivers make the pigging process a smooth and efficient procedure for piping system operators. With extra emphasis

on safety, TD Williamson's easy-opening D2000 Clamp Ring Closures on all units and PIG-SIG[®] IV Passage Indicators are included on all receivers.

Features

Appropriate Barrel Lengths - to accommodate all T.D. Williamson/MAGPIE[®] in-line inspection tools:

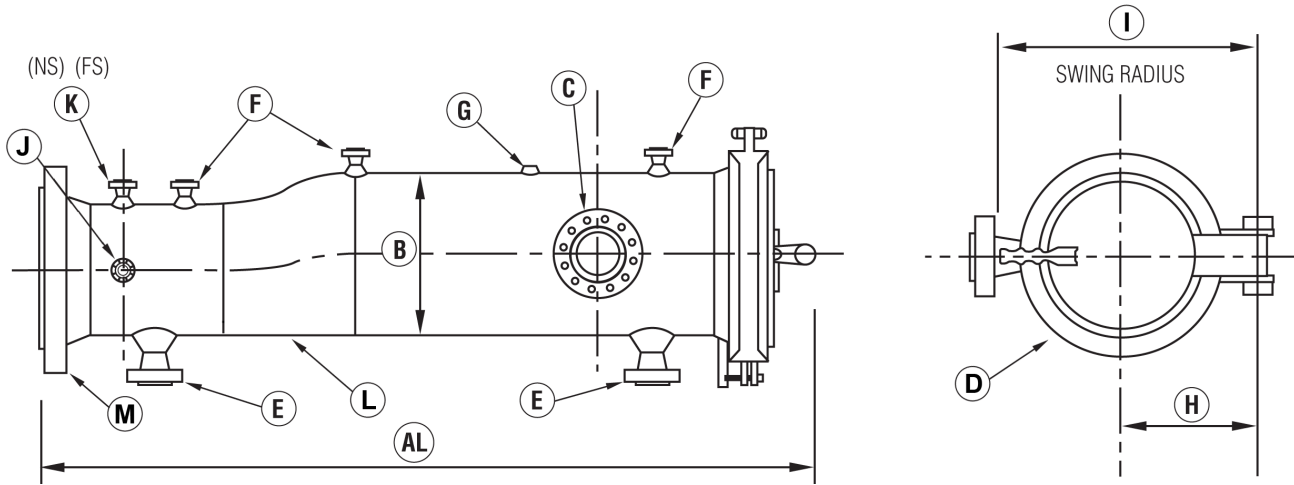
- Oversized Barrel – to ease loading and handling of pigs
- Flanged Kicker Nozzle – Adequately sized to ensure efficient launching
- TDWs D2000 Clamp Ring Closure (safe, quick opening closure)
- Flanged Equalization Nozzles (to enhance pig launch process)
- Multiple Vent Nozzles – for safe purge of the entire unit
- Pressure Gauge Connection – ready for gage installation
- Side Nozzles – to further assist ease of loading

- Load Nozzle – to allow safe and easy loading of inspection tools
- Eccentric Reducer – to assure safe and easy loading & launching
- Line Size Mounting Flange - for mainline launcher connection (standard ASME class 600 flange)
- Hydrotested and Inspected designed for appropriate pipeline B31.8 and B31.4 codes
- Primer Coated ready for your topcoat

USA: 1-800-571-7447
England: (44) 1-793-603600



SmartTrap® Launchers



ASME Class 600 Lb.

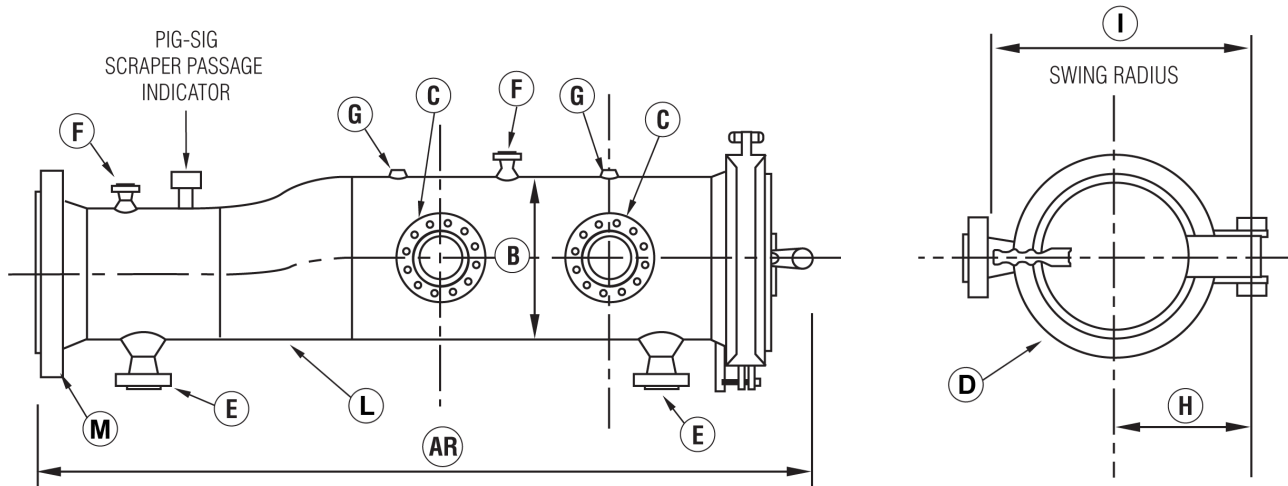
Line Size Nominal	Closures											
	AL	B	C	D	E	F	G	M	H	I	J	K
6	18.85	10.75	2	10.75	2	1	1	6	7.37	17.00	2	2
8	21.35	12.75	2	12.75	2	1	1	8	8.50	19.00	2	2
10	20.47	16.00	3	16.00	2	1	1	10	9.68	21.25	2	2
12	19.21	16.00	4	16.00	3	1	1	12	10.87	24.75	2	2
14	20.27	20.00	4	20.00	3	1	1	14	11.56	26.00	2	2
16	17.48	20.00	6	20.00	4	2	1	16	13.75	33.75	2	2
18	18.46	24.00	6	24.00	4	2	1	18	14.68	34.75	2	2
20	18.53	24.00	6	24.00	4	2	1	20	15.81	36.25	2	2
24	23.62	30.00	8	30.00	4	2	1	24	18.12	42.75	2	2
26	23.85	30.00	8	30.00	4	2	1	26	20.00	44.81	2	2
28	23.92	34.00	10	34.00	4	2	1	28	21.12	46.25	2	2
30	24.00	36.00	10	36.00	6	2	1	30	22.31	47.81	2	2
36	26.33	40.00	12	40.00	6	4	1	36	25.56	67.00	2	2

Note: Dimensions are approximate. AL and AR are shown in feet, all others shown in inches.

Consult factory for alternative custom designs, codes, pressure classes, features and sizes not shown



SmartTrap® Receivers



ASME Class 600 Lb.

Line Size Nominal	Closures									
	AR	B	C	D	E	F	G	M	H	I
6	27.85	10.75	2	10.75	2	1	1	6	7.37	17.00
8	32.59	12.75	2	12.75	2	1	1	8	8.50	19.00
10	30.14	16.00	3	16.00	2	1	1	10	9.68	21.25
12	28.43	16.00	4	16.00	3	1	1	12	10.87	24.75
14	29.02	20.00	4	20.00	3	1	1	14	11.56	26.00
16	24.24	20.00	6	20.00	4	2	1	16	13.75	33.75
18	24.96	24.00	6	24.00	4	2	1	18	14.68	34.75
20	24.88	24.00	6	24.00	4	2	1	20	15.81	36.25
24	34.62	30.00	8	30.00	4	2	1	24	18.12	42.75
26	34.85	30.00	8	30.00	4	2	1	26	20.00	44.81
28	34.92	34.00	10	34.00	4	2	1	28	21.12	46.25
30	35.00	36.00	10	36.00	6	2	1	30	22.31	47.81
36	37.33	40.00	12	40.00	6	4	1	36	25.56	67.00

Note: Dimensions are approximate. AL and AR are shown in feet, all others shown in inches.
Consult factory for alternative custom designs, codes, pressure classes, features and sizes not shown



T.D. Williamson, Inc.

5000.001.01- p4