

SHORTSTOPP® 3-WAY™ Tees

300D Full Encirclement; Sizes 2- through 12-inch



T.D. Williamson

Bulletin No: 2100.006.02

Version: 05.2010

Cross Indexing No: n/a

Supersedes: 2100.006.01 (10.1999)



■ **SHORTSTOPP® 3-WAY™ Tee**
300D Full Encirclement, Sizes 2" & 3"



■ **SHORTSTOPP® 3-WAY™ Tee**
300D Full Encirclement, Sizes 4" through 12"

Description

The SHORTSTOPP® 3-WAY™ Tee 300D is welded to an extruded-style split tee. The fittings, 4" and larger, are furnished with a flange—drilled, faced, and pressure-rated to match ASME Class 300 flanges. They are used with TDW plugging machines to temporarily plug the line, without shutdown, while installing a permanent bypass. The flange is machined to accept 300D Completion Plugs.

Features

Quality control measures include inspection to ensure a proper fit on the pipeline, flange alignment verification, and radiographic weld inspection* to API Standard 1104.

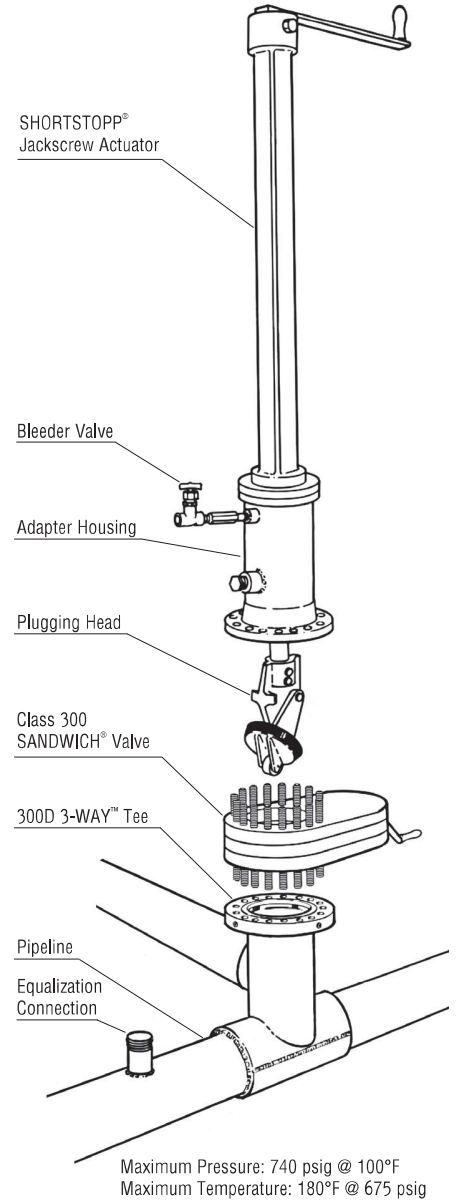
The maximum operating pressure of the SHORTSTOPP® 300D 3-WAY Tee is 740 psi (51 bar) at 100°F(38°C). Its maximum operating temperature is 180°F (82°C) at 675 psi (47 bar) per ASME B31.4. See chart on page 2 for MOAP per ASME B31.8

All fittings are stamped with a code number for material identification, and a painted band ensures easy alignment in the field. Material certificates are available.

The 4" and larger fittings are complete with blind flange, studs, nuts, gasket, O-ring, and completion plug. The 2" and 3" sizes are furnished with a threaded cap, completion plug, and O-ring.

*100% ultrasonic examination performed at TDW's Nivelles, Belgium plant.

Typical Plugging Setup



ISO 9001 Certified

Toll Free

1-888-TDWmSon (839-6766)



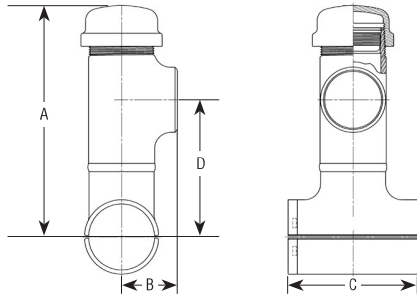
SHORTSTOPP® 3-WAY™ Tee 300D Full Encirclement

300D 3-WAY Tee™ Class 300

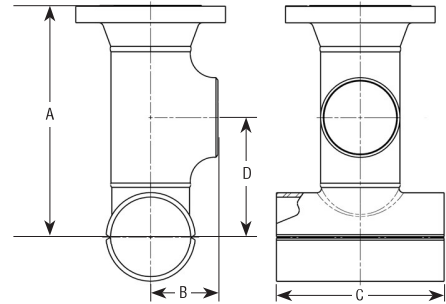
Maximum Allowable Operating Pressure (in psi) Per ASME B31.8 at -20 to +100° F

Size Inches	DN	Weight		Design Factor				Part Number
		Lbs.	Kg.	0.72	0.60	0.50	0.40	
2	50	12	5.4	740	740	740	740	26-0222-0000
3	80	23	10.4	740	740	740	740	26-0223-0000
4	100	91.5	41.5	740	740	740	740	06-8906-0000
6	150	176	79	740	740	740	635	06-8907-0000
8	200	288	130	740	740	665	530	06-8908-0000
10*	250	467	210	740	700	585	465	06-8909-0000
12*	300	689	310	740	645	535	430	06-8910-0000

2" and 3" fittings include cap, completion plug, and O-ring



4" through 12" fittings are complete with blind flange, studs, nuts, gasket, O-ring, and completion plug.



Dimensions

Size		A**		B		C		D	
Inches	DN	Inches	mm	Inches	mm	Inches	mm	Inches	mm
2	50	8.38	213	2.00	50	5.50	140	4.81	120
3	80	12.44	316	3.00	80	7.00	178	7.37	187
4	100	14.50	368	4.13	105	10.75	273	7.25	184
6	150	19.19	487	5.63	143	14.00	356	9.94	252.4
8	200	23.56	598	7.00	178	16.50	419	12.44	316
10*	250	28.12	714	8.50	216	20.00	508	15.25	387
12*	300	32.81	830	10.00	254	22.00	559	17.94	455.7

*NOTE: 300D 10" and 12" 3-WAY Tees™ cannot be tapped using the T-203 Tapping Machine due to insufficient travel.
**4" - 12" Flange Dimension "A" does not include blind flange and gasket.

Spare O-Rings

Size		Part Number
Inches	DN	
2	50	00-0117-0010
3	80	00-0117-0013
4	100	00-1250-0001
6	150	00-1250-0002
8	200	00-1250-0003
10	250	00-1250-0004
12	300	00-1250-0005

300D Completion Plugs* Class 300

Size		Part Number	Weight	
Inches	DN		Lbs.	Kg.
2	50	07-1745-0000	1	1
3	80	07-1746-0000	2	1
4	100	07-0351-0000	2.5	1
6	150	07-1027-0000	10	5
8	200	07-1028-0000	20	9
10	250	07-1029-0000	31	14
12	300	07-1030-0000	44	20

***Plug setting pressure limited to pressure rating of completion machine.



SHORTSTOPP® 3-WAY™ Tee 300D Full Encirclement - .5 Design Factor

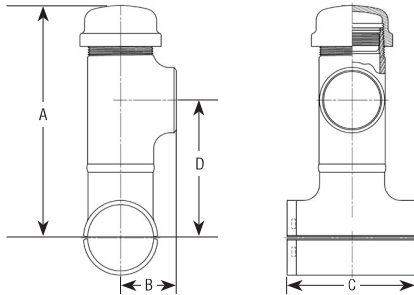
300D 3-WAY Tee™ Class 300

Maximum Allowable Operating Pressure (in psi) Per ASME B31.8 at -20 to +100° F

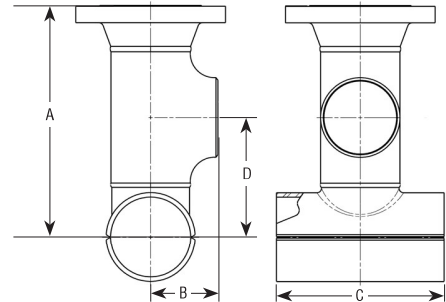
Size Inches	DN	Weight		Design Factor				Part Number
		Lbs.	Kg.	0.72	0.60	0.50	0.40	
2	50	12	5	740	740	740	740	26-0222-0000-00
3	80	23	10	740	740	740	740	26-0223-0000-00
4	100	95	43	740	740	740	740	26-2416-0004-SF
6	150	180	82	740	740	740	592	26-2416-0006-SF
8	200	290	132	740	740	740	592	26-2416-0008-SF
10	250	480	218	740	740	740	592	26-2416-0010-SF
12	300	700	318	740	740	740	592	26-2416-0012-SF

SF: 00 IS WITHOUT BACKUP STRIPS, 01 IS WITH BACKUP STRIPS

2" and 3" fittings include cap, completion plug, and O-ring



4" through 12" fittings are complete with blind flange, studs, nuts, gasket, O-ring, and completion plug.



Dimensions

Size		A**		B		C		D	
Inches	DN	Inches	mm	Inches	mm	Inches	mm	Inches	mm
2	50	8.38	213	2.00	50	5.50	140	4.81	120
3	80	12.44	316	3.00	80	7.00	178	7.37	187
4	100	14.50	368	4.13	105	10.75	273	7.25	184
6	150	19.19	487	5.63	143	14.00	356	9.94	252.4
8	200	23.56	598	7.00	178	16.50	419	12.44	316
10*	250	28.12	714	8.50	216	20.00	508	15.25	387
12*	300	32.81	830	10.00	254	22.00	559	17.94	455.7

*NOTE: 300D 10" and 12" 3-WAY Tees™ cannot be tapped using the T-203 Tapping Machine due to insufficient travel.

**4" - 12" Flange Dimension 'A' does not include blind flange and gasket.

Spare O-Rings

Size		Part Number
Inches	DN	
2	50	00-0117-0010
3	80	00-0117-0013
4	100	00-1250-0001
6	150	00-1250-0002
8	200	00-1250-0003
10	250	00-1250-0004
12	300	00-1250-0005

300D Completion Plugs* Class 300

Size		Part Number	Weight	
Inches	DN		Lbs.	Kg.
2	50	07-1745-0000-00	1	1
3	80	07-1746-0000-00	2	1
4	100	07-0351-0000-00	3	1
6	150	07-1027-0000-00	10	5
8	200	07-1853-0000-00	20	9
10	250	07-1854-0000-00	31	14
12	300	07-1855-0000-00	44	20

***Plug setting pressure limited to pressure rating of completion machine.