



# BiDirectionAll Pig

## Sizes: 4- through 60-inch



T.D. Williamson, Inc.

Bulletin No: **3000.005.02**  
 Date: January 2007  
 Cross Indexing No: n/a  
 Supersedes: 3000.005.01 (2/99)



■ **BiDirectionAll Pig**



■ **BiDirectionAll Pig**  
with optional brush wraps

### Description

TDW's BiDirectionAll Pig is designed to be used in pipeline construction during the hydrostatic test phase for air or water displacement applications. This pig is bidirectional, which allows the pig to run in either direction. It is designed to allow the user to fill the line with hydro test water and then displace the water without having to remove the pig. It can be used as a bidirectional cleaning pig by adding optional brushes.

### Features

Each pig is equipped with six discs. The lead and trailing discs are the guide/support discs, which provide support to the pig. Since the outside diameter of the guide disc is smaller, it eases the loading of the pig by providing a guide.

Each pig is equipped with four scraper/seal discs, which provide an excellent seal during a new construction displacement application. The discs have also proven to provide excellent scraping action for cleaning purposes.

All discs are made from TDW's special polyurethane material designed to provide an excellent seal and long wear. The guide/support discs are slightly harder than the scraper/seal discs to enhance the pig's performance.

The BiDirectionAll Pig may be run in either direction if the application requires. The seal/scraper disc will easily reverse its seal position when the flow direction is changed.

### Options

T. D. Williamson, Inc., is committed to providing you with the exact product to assist you in planning, budgeting and meeting the specifications for your individual application needs.

BiDirectionAll Pigs are available in sizes 4" (100 mm) and larger. To help you obtain the proper pig for your application, check to see if the selection is capable of traversing your particular pipeline components (bends, valves, tees, etc.).

- Gauging plates are available in aluminum, slotted aluminum or steel and can be made to the diameter specified by you.
- Circular brush cleaning assemblies may be added to the front and/or rear sections of the pig.
- Magnetic cleaning assemblies may be added to retrieve any ferrous material.
- The BiDirectionAll Pig can be equipped to mount tracking transmitters. Certain limitations may apply in smaller sizes due to mounting space.
- In sizes 24" and larger, the Bi-DirectionAll Series II Pig will traverse diameter reductions up to 10% in the form of dents or buckles. The Bi-DirectionAll Series III Pig will traverse diameter reductions up to 20%.
- In sizes 16" and larger, the BiDirectionAll Pig may be equipped with non-metallic bumpers.
- In sizes 16" and larger, the Bi-DirectionAll Pig may be equipped with bolt seals, which minimize leaking around the disc-mounting bolts.

**USA: 1-800-571-7447**  
**England: (44) 1-793-603600**

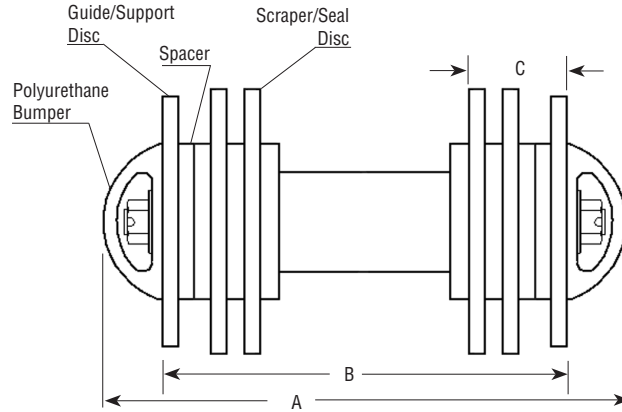


# Series I BiDirectionAll Pig

## Series I Sizes 4" through 14"

Series I BiDirectionAll Pigs are designed to be used in pipeline construction during the hydrostatic test phase for air or water displacement applications. Series I BiDirectionAll Pigs traverse 1.5 DR bends when configured as shown.

Polyurethane bumpers are standard on 6"-14" pigs. Non-metallic bumpers are optional on the 4" pig.



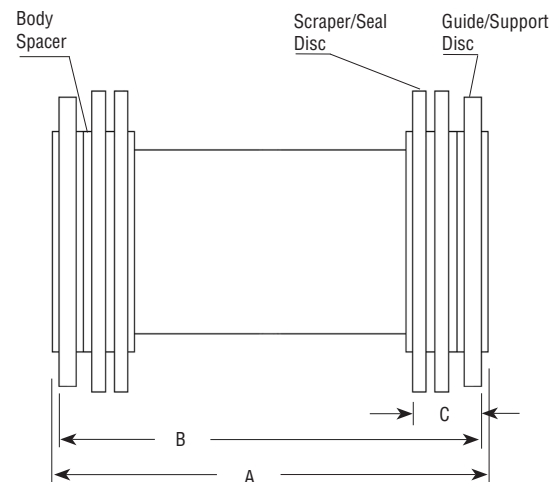
Inches	mm	Wt./Lbs.	Wt./Kg	Part Number	A	B	C
4	100	5	3	01-0670-0004-00	7.9 (200)	5.7 (145)	1.9 (50)
6	150	13	6	01-0670-0006-00	12.5 (320)	8.5 (215)	2.8 (70)
8	200	25	11	01-0670-0008-00	15.7 (400)	11.2 (285)	3.1 (80)
10	250	45	19	01-0670-0010-00	19.8 (500)	14.0 (355)	3.1 (80)
12	300	50	23	01-0670-0012-00	22.6 (575)	16.8 (425)	4.0 (100)
14	350	55	25	01-0670-0014-00	25.4 (645)	19.6 (500)	4.0 (100)

# Series II BiDirectionAll Pig

## Series II Sizes 24" through 60"

Replacement discs are less costly for the Series II BiDirectionAll Pigs. The internal diameter of the Series II Pig body is larger and therefore the discs contain less urethane to achieve the same outside diameter as the Series III Pigs. However, Series III Pigs should be used when pipe diameter reductions exceed 10%.

Series II BiDirectionAll Pigs traverse 1.5 DR bends when configured as shown.



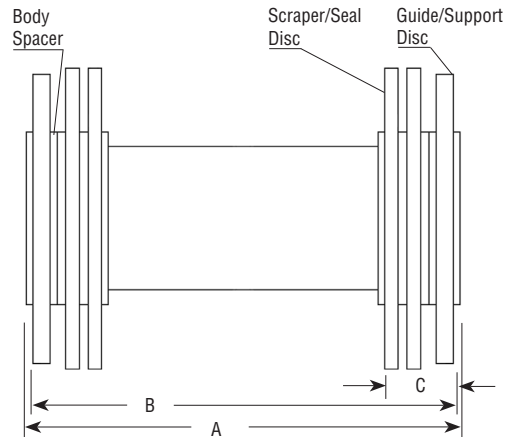
Inches	mm	Wt./Lbs.	Wt./Kg	Part Number	A	B	C
24	600	174	79	01-0671-0024-00	34.6 (880)	33.6 (855)	5.1 (130)
26	650	200	91	01-0671-0026-00	37.4 (950)	36.4 (925)	5.1 (130)
28	700	230	105	01-0671-0028-00	40.2 (1020)	39.2 (995)	5.1 (130)
30	750	285	130	01-0671-0030-00	41.0 (1040)	40.0 (1065)	6.4 (160)
32	800	312	142	01-0671-0032-00	45.8 (1165)	44.8 (1140)	6.4 (160)
34	850	387	176	01-0671-0034-00	48.6 (1235)	47.6 (1210)	7.0 (180)
36	900	433	197	01-0671-0036-00	51.4 (1305)	50.4 (1280)	7.0 (180)
40	1000	515	234	01-0671-0040-00	55.0 (1395)	54 (1370)	7.0 (180)
42	1050	704	320	01-0671-0042-00	55.8 (1415)	54.6 (1385)	7.0 (180)
48	1200	937	426	01-0671-0048-00	63.6 (1615)	62.4 (1585)	7.2 (180)
56	1400	1360	618	01-0671-0056-00	74.0 (1880)	72.8 (1850)	8.7 (220)
60	1500	1522	692	01-0671-0060-00	76.2 (1935)	75.0 (1905)	8.7 (220)



# Series III BiDirectionAll Pig

## Series III Sizes 16" through 60"

Series III BiDirectionAll Pigs will traverse diameter reductions up to 20% and 1.5 DR bends when configured as shown.



Inches	mm	Wt./Lbs.	Wt./Kg	Part Number	A	B	C
16	400	73	33	01-0670-0016-00	23.4 (595)	22.4 (570)	5.1 (130)
18	450	97	44	01-0670-0018-00	26.2 (665)	25.2 (640)	5.9 (150)
20	500	125	57	01-0670-0020-00	29.2 (740)	28.0 (710)	6.2 (160)
22	550	163	74	01-0670-0022-00	31.8 (810)	30.8 (780)	6.2 (160)
24	600	196	89	01-0670-0024-00	34.6 (880)	33.6 (855)	6.8 (170)
26	650	235	107	01-0670-0026-00	37.4 (950)	36.4 (925)	7.5 (190)
28	700	288	131	01-0670-0028-00	40.2 (1020)	39.2 (995)	8.2 (210)
30	750	328	149	01-0670-0030-00	43.0 (1090)	42.0 (1065)	7.9 (200)
32	800	378	172	01-0670-0032-00	45.8 (1165)	44.8 (1140)	8.2 (210)
34	850	436	198	01-0670-0034-00	48.6 (1235)	47.6 (1210)	9.0 (230)
36	900	506	230	01-0670-0036-00	51.4 (1305)	50.4 (1280)	9.5 (240)
40	1000	651	296	01-0670-0040-00	55.0 (1395)	54.0 (1370)	9.5 (260)
42	1050	843	383	01-0670-0042-00	56.1 (1425)	54.6 (1385)	10 (255)
48	1200	1126	512	01-0670-0048-00	63.9 (1625)	62.4 (1585)	11.2 (285)
56	1400	1888	858	01-0670-0056-00	74.3 (1885)	72.8 (1850)	15.5 (395)
60	1500	2222	1010	01-0670-0060-00	76.5 (1945)	75.0 (1905)	16.2 (410)



# BiDirectionAll Pig

## Replacement Parts

Size		Support/ Guide Disc		Scrapper/Seal Disc			
Inches	mm	Wt./Lbs.	Wt./Kg.	Part Number	Wt./Lbs.	Wt./Kg.	Part Number
<b>Series I</b>							
4	100	0.2	0.1	00-7699-0004-00	0.2	0.1	00-7698-0004-00
6	150	0.6	0.3	00-7699-0006-00	0.5	0.2	00-7698-0006-00
8	200	1.0	0.5	00-7699-0008-00	0.9	0.4	00-7698-0008-00
10	250	1.6	0.7	00-7699-0010-00	1.4	0.6	00-7698-0010-00
12	300	3.5	1.6	00-7699-0012-00	2.7	1.2	00-7698-0012-00
14	350	4.3	2.0	00-7699-0014-00	3.2	1.5	00-7698-0014-00
<b>Series II</b>							
24	600	8.8	4.0	00-7696-0024-00	7.3	3.3	00-7695-0024-00
26	650	11.4	5.2	00-7696-0026-00	9.2	4.2	00-7695-0026-00
28	700	11.7	5.3	00-7696-0028-00	9.5	4.3	00-7695-0028-00
30	750	19.1	8.7	00-7696-0030-00	14.3	6.5	00-7695-0030-00
32	800	15.0	6.8	00-7696-0032-00	12.8	5.8	00-7695-0032-00
34	850	26.2	11.9	00-7696-0034-00	23.1	10.5	00-7695-0034-00
36	900	28.2	12.8	00-7696-0036-00	24.9	11.3	00-7695-0036-00
38	950	29.0	13.2	00-7696-0038-00	25.7	11.7	00-7695-0038-00
40	1000	30.8	14.0	00-7696-0040-00	27.3	12.4	00-7695-0040-00
42	1050	50.6	23.0	00-7696-0042-00	36.7	16.7	00-7695-0042-00
48	1200	85.8	39.0	00-7696-0048-00	66.9	30.4	00-7695-0048-00
60	1500	93.1	42.3	00-7696-0060-00	72.6	33.0	00-7695-0060-00
<b>Series III</b>							
16	400	5.1	2.3	00-7699-0016-00	4.2	1.9	00-7698-0016-00
18	450	5.9	2.7	00-7699-0018-00	5.1	2.3	00-7698-0018-00
20	500	9.2	4.2	00-7699-0020-00	7.9	3.6	00-7698-0020-00
22	550	10.3	4.7	00-7699-0022-00	8.8	4.0	00-7698-0022-00
24	600	16.5	7.5	00-7699-0024-00	13.0	5.9	00-7698-0024-00
26	650	18.5	8.4	00-7699-0026-00	14.5	6.6	00-7698-0026-00
28	700	27.3	12.4	00-7699-0028-00	22.4	10.2	00-7698-0028-00
30	750	26.8	12.2	00-7699-0030-00	21.6	9.8	00-7698-0030-00
32	800	35.2	16.0	00-7699-0032-00	28.8	13.1	00-7698-0032-00
34	850	38.3	17.4	00-7699-0034-00	31.0	14.1	00-7698-0034-00
36	900	52.4	23.8	00-7699-0036-00	40.3	18.3	00-7698-0036-00
40	1000	61.4	27.9	00-7699-0040-00	47.1	21.4	00-7698-0040-00
42	1050	80.5	36.6	00-7699-0042-00	59.2	26.9	00-7698-0042-00
48	1200	115.9	52.7	00-7699-0048-00	81.8	37.2	00-7698-0048-00
56	1400	169.0	76.8	00-7699-0056-00	144.0	65.5	00-7698-0056-00
60	1500	227.0	103.0	00-7699-0060-00	196.0	89.2	00-7698-0060-00



**T.D. Williamson, Inc.**

3000.005- p6