



FJR/JRN Cleaning Pigs

Sizes: 2- through 6-inch



T.D. Williamson, Inc.

Bulletin No: 3000.001.01
Date: January 2007
Cross Indexing No: n/a
Supersedes: 3000.001.00 (1/99)



■ FJR Cleaning Pig
6" (150 mm)

Description

Contamination buildup increases resistance to flow, which decreases pipeline efficiency. FJR and JRN Cleaning Pigs are used to improve and maintain all types of pipelines by removing contaminants and deposits in the pipe. They combine the ability to traverse sharp bends with maximum cleaning capabilities and long service. JRN Pigs and the flexible FJR Pigs come equipped with wire brushes and urethane cups.

Features

Both FJR and JRN Cleaning Pigs are built with TDW's urethane scraper cup, which is made of liquid-cast urethane, a high-strength, tough elastomer. Advantages of urethane cups include minimum swelling, exceptional resistance to hydrocarbons, light-weight, reduced blistering, and increased abrasion resistance. TDW steel wire brushes come standard, made from high-carbon, tempered steel, and are designed to remove hard deposits. Urethane cups operate in temperatures ranging from -20°F to 200°F (-29°C to 93°C).

Options*

T. D. Williamson, Inc., is committed to providing you with the exact product to assist you in planning, budgeting, and meeting the specifications for your individual application needs.

FJR and JRN Pigs are available in sizes 2" (50 mm) through 6" (150 mm). Cups are available in urethane, Buna-N, neoprene or Viton. The 6" size is also available with type HD urethane scraper cups. To help you obtain the proper pig for your application, check to see if the selection is capable of traversing your particular pipeline components (bends, valves, tees, etc.).



■ JRN Cleaning Pig
6" (150 mm)

USA: 1-800-571-7447
England: (44) 1-793-603600



FJR and JRN Cleaning Pigs

Sizes 2" through 6"

		FJR Pigs			JRN Pigs		
Inches	mm	Wt./Lbs.	Wt./kg	Part Number	Wt./Lbs.	Wt./kg	Part Number
2	50	1-3/4	0.8	02-0898-0000	1	0.5	02-0002-0000
3	80	4-1/2	2.0	02-0900-0000	2-3/4	1.0	02-0006-0000
4	100	5	2.0	02-0901-0000	3-1/4	2.0	02-0008-0000
6	150	15	7.0	02-1949-0000	10	5.0	02-1793-0000

Dimensions

		FJR Pigs						JRN Pigs			
		A		B		L		A		L	
Inches	mm	Inches	mm	Inches	mm	Inches	mm	Inches	mm	Inches	mm
2	50	4-5/16	110	2-1/4	57	6-9/16	167	1-5/8	41	4	102
3	80	7-9/16	192	3-15/16	100	10-3/4	273	2-7/8	73	6-1/2	165
4	100	7-5/8	194	4	102	10-3/4	273	2-15/16	75	6-1/2	165
6	150	10-7/16	265	5-1/2	140	15-11/16	398	4	102	9-3/8	238

Parts and Descriptions

		FJR Pigs			JRN Pigs				
Item	Description	2"	3", 4"	6"	Item	Description	2"	3", 4"	6"
1	Body	1	1	1	1	Body	1	1	1
2	Spacer	4	4	4	3	Spacer	1	1	1
3	Flange	6	3	3	4	Brush	4	6	6
4	Washer	--	--	1	5	Flange	2	2	2
6	Brush	6	9	9	9	Nut, Esna	1	1	2
7	Urethane Cup	3	3	3	10	Nose and Rear Bumper	--	--	2
8	Cotter Pin	1	1	2	14	Urethane Cup	2	2	2
9	Jam Nut	1	1	1	15	Bypass Plug	1	1	1
12	Nose and Rear Bumper	--	--	2	28	Cotter Pin	--	--	2
55	Name Plate	1	1	1	55	Name Plate	1	1	--

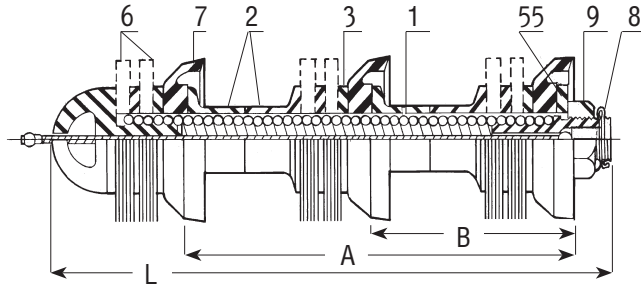
FJR and JRN Pigs Will Traverse:

		minimum bend radius		maximum gate valve seat ring spacing				maximum check valve length of bowl			
				FJR Pigs		JRN Pigs		FJR Pigs		JRN Pigs	
Size		Inches	mm	Inches	mm	Inches	mm	Inches	mm	Inches	mm
2	50	3	76	2-1/2	64	1	25	4	102	1-3/8	35
3	80	4-1/2	114	4-1/2	114	1-5/8	41	7	178	2-1/2	64
4	100	6	152	4-1/2	114	1-5/8	41	7	178	2-9/16	65
6	150	9	228	5	27	2	51	10	254	3-1/2	89

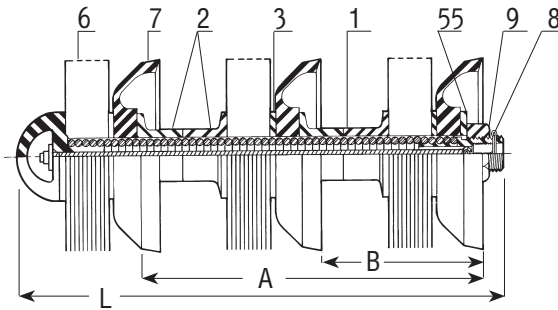
FJR Pigs will traverse full size branch openings.

Cleaning Pig Configurations

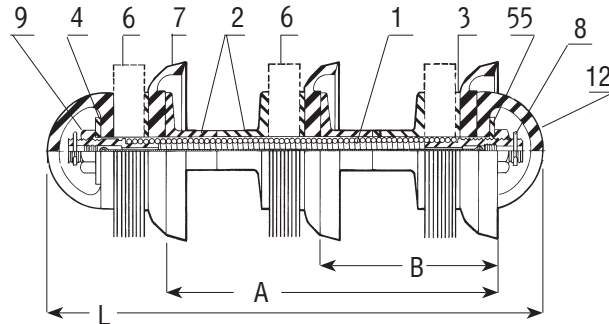
FJR Cleaning Pig
2" (50 mm)



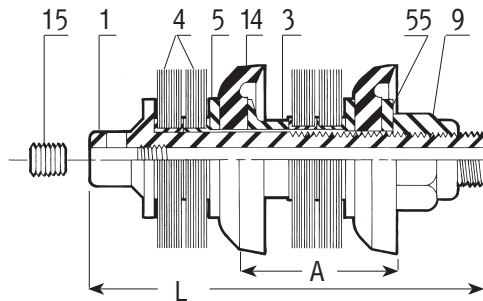
FJR Cleaning Pig
3" (80 mm) and 4" (100 mm)



FJR Cleaning Pig
6" (150 mm)



JRN Cleaning Pig
2" (50 mm), 3" (80 mm), 4" (100 mm)



JRN Cleaning Pig
6" (150 mm)

