



No. 3 Branch Connection Fittings

Sizes: 2- Through 24-inch



T.D. Williamson, Inc.

Bulletin No: **1110.002.00**

Date: February 2007

Cross Indexing No: n/a

Supersedes: n/a



■ No. 3 Branch Connection Fitting
STOPPLE[®] Fitting Shown

Description

TDW has developed the Class 150, 300 and 600 No. 3 Branch Connection Fitting, designed to meet B31.3 requirements for refinery and chemical plant applications in sizes 2- through 24-inch. These fittings can be used on standard weight and larger pipe. Three different types of flanges are available along with a full encirclement reinforcing saddle.

Features

The No. 3 Branch Connection fitting is a saddle fitting welded directly to the pipe. The following are additional features.

- All three classes of the fitting are rated to 700°F.
- When desired, a full encirclement reinforcing saddle is welded around the installed fitting, providing additional support and strength.
- Both the LOCK-O-RING[®] and LOCK-O-RING[®] Plus versions accept a completion plug and blind flange, permitting removal of the tapping valve (see note).

Options

Options include:

- A choice of three flanges is available: Tapping, LOCK-O-RING, or LOCK-O-RING Plus (see note).
- Available in Class 150, 300 or 600
- With or without a full encirclement reinforcing saddle
- Choice of BUNA-N, Viton or EPDM O-Ring with LOCK-O-RING Flange and reinforcing saddle.
- Pressure ratings shown are for suffix option 10 @ 100°F only. Consult factory for additional ratings for higher temperatures.

Note: The No. 3 Branch Connection Fitting with LOCK-O-RING[®] Plus Flange is available exclusively through TDW Services, Inc. Call 1-800-828-1988 for more information.



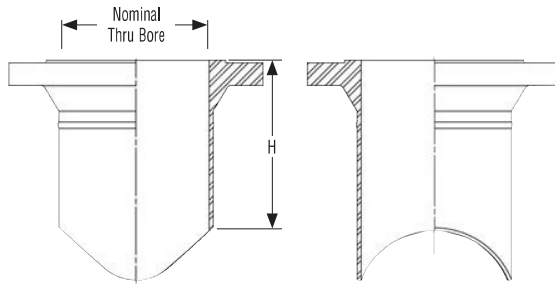
■ Full Encirclement Reinforcing Saddle
Optional

ISO 9001 Certified

Toll Free
1-800-828-1988



No. 3 Branch Connection Tapping Fittings



Suffix Options

-10 Without Full Encirclement Saddle

-15 With Full Encirclement Saddle

*Pressure rating for Suffix -10

Class	Size		Nominal		Lbs.	Kg.	H	Part Number	*Max Temp / Pressure Rating
	Inches	DN	Thru Bore						100° F
Class 150	2	50	2.067		9	4	9.50	26-1876-0215-XX	285
	3	80	3.068		17	8	9.75	26-1876-0315-XX	285
	4	100	4.026		25	11	10.25	26-1876-0415-XX	285
	6	150	6.065		40	18	11.50	26-1876-0615-XX	285
	8	200	7.981		65	29	12.25	26-1876-0815-XX	285
	10	250	10.020		90	41	12.50	26-1876-1015-XX	285
	12	300	12.000		130	59	13.50	26-1876-1215-XX	285
	14	350	13.250		165	75	14.50	26-1876-1415-XX	285
	16	400	15.250		205	93	14.50	26-1876-1615-XX	285
	18	450	17.250		230	104	15.25	26-1876-1815-XX	285
Class 300	20	500	19.250		280	127	16.44	26-1876-2015-XX	285
	24	600	23.250		400	181	17.50	26-1876-2415-XX	280
	2	50	2.067		11	5	9.75	26-1876-0230-XX	740
	3	80	3.068		16	7	10.125	26-1876-0330-XX	740
	4	100	4.026		29	13	10.625	26-1876-0430-XX	740
	6	150	6.065		55	25	11.875	26-1876-0630-XX	740
	8	200	7.981		95	43	12.625	26-1876-0830-XX	695
	10	250	10.020		130	59	13.125	26-1876-1030-XX	625
	12	300	12.000		190	86	14.125	26-1876-1230-XX	540
	14	350	13.250		250	113	15.125	26-1876-1430-XX	490
Class 600	16	400	15.250		320	145	15.250	26-1876-1630-XX	425
	18	450	17.250		380	172	16.00	26-1876-1830-XX	375
	20	500	19.250		480	217	17.125	26-1876-2030-XX	335
	24	600	23.250		670	304	18.125	26-1876-2430-XX	280
	2	50	2.067		12	5	10.125	26-1876-0260-XX	1260
	3	80	3.068		21	10	10.50	26-1876-0360-XX	1195
	4	100	4.026		47	21	11.50	26-1876-0460-XX	1005
	6	150	6.065		90	41	12.875	26-1876-0660-XX	790
	8	200	7.981		140	64	13.75	26-1876-0860-XX	695
	10	250	10.020		220	100	14.75	26-1876-1060-XX	625
	12	300	12.000		270	122	15.375	26-1876-1260-XX	540
	14	350	13.250		390	177	16.25	26-1876-1460-XX	490
	16	400	15.250		530	240	16.75	26-1876-1660-XX	425
	18	450	17.250		610	277	17.25	26-1876-1860-XX	375
	20	500	19.250		780	354	18.50	26-1876-2060-XX	335
	24	600	23.250		1080	490	19.75	26-1876-2460-XX	280

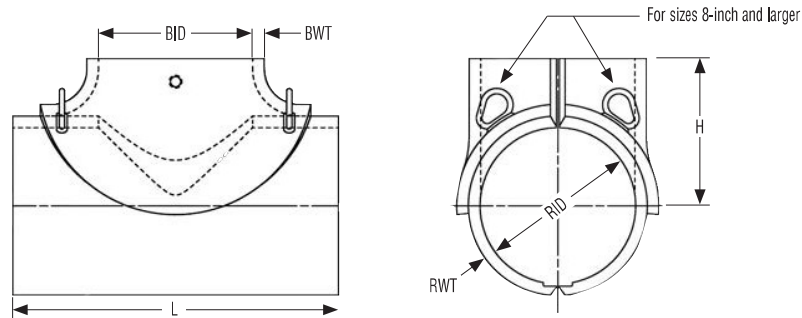
Dimensions and Part Numbers



T.D. Williamson, Inc.

1110.002.00- p5

Full Encirclement Saddle for No. 3 Branch Connection Fittings



Size Inches	RID	RWT	BID	BWT	L	H	Lbs.	Kg.	Part Number
2 x 2	2.375	.50	2.438	.313	10	3.188	10	5	00-8730-0001-00
3 x 3	3.500	.50	3.562	.406	12	3.750	15	7	00-8730-0002-00
4 x 4	4.500	.50	4.562	.375	14	4.500	25	11	00-8730-0003-00
6 x 6	6.625	.50	6.688	.500	18	6.312	55	25	00-8730-0004-00
8 x 8	8.625	.50	8.688	.500	22	7.562	90	41	00-8730-0005-00
10 x 10	10.75	.50	10.812	.500	26	8.875	135	61	00-8730-0006-00
12 x 12	12.75	.50	12.812	.500	30	10.375	180	82	00-8730-0007-00
14 x 14	14.00	.50	14.062	.500	34	11.500	220	100	00-8730-0008-00
16 x 16	16.00	.50	16.062	.500	38	12.50	330	150	00-8730-0009-00
18 x 18	18.00	.50	18.062	.500	42	13.75	440	200	00-8730-0010-00
20 x 20	20.00	.50	20.062	.500	44	15.75	500	227	00-8730-0011-00
24 x 24	24.00	.50	24.062	.500	52	18.50	710	322	00-8730-0012-00
42 x 36	42.00	.50	36.250	.500	76	24.50	1400	635	00-8730-0013-00

Standard Material: ASTM A516 GR. 70, other materials available upon request